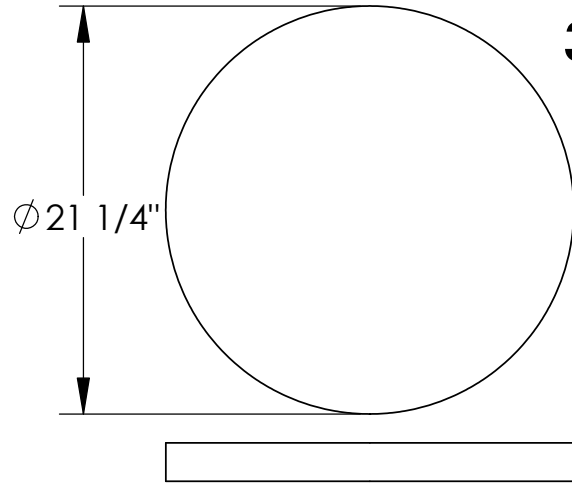
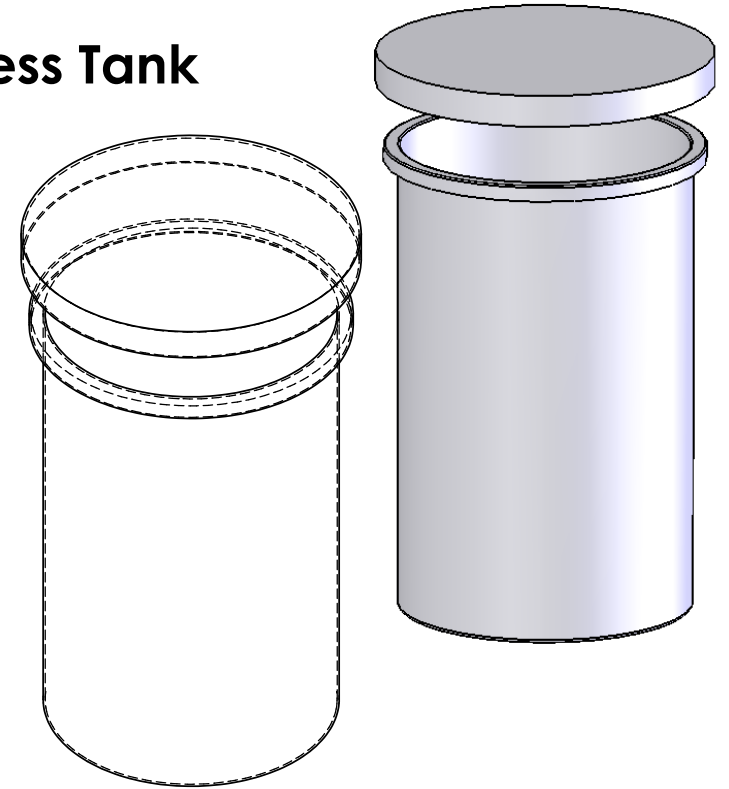


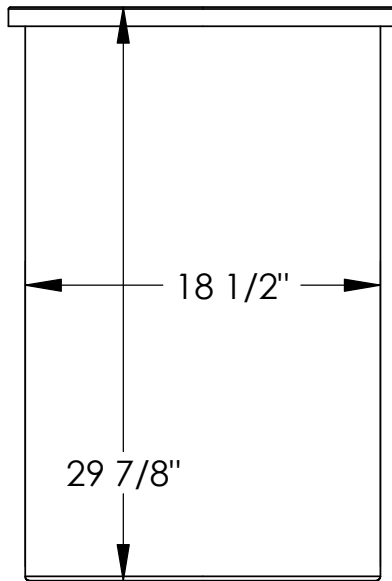
# 30 Gallon Batch & Process Tank



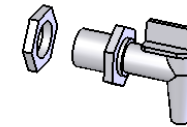
Weight: 19 lbs  
 Color: Translucent White  
 Wall Thickness: 1/2"



Fill Lines



Optional Spigot



**PROPRIETARY AND CONFIDENTIAL**

The information contained in this drawing is the sole property of DIXIE POLY DRUM CORP. Any reproduction in part or as a whole without the written permission of DIXIE POLY DRUM CORP. is prohibited.

All Dimensions Are In Inches

MATERIAL  
 L.L.D. Polyethylene

FINISH  
 Smooth

Approval			DIXIE POLY DRUM CORP.	
Dept.	NAME	DATE	TITLE:	
			30 gallon process tank	
			SIZE	DWG. NO.
			<b>A</b>	REV
ANDREW SEARLES			SHEET 1 OF 1	