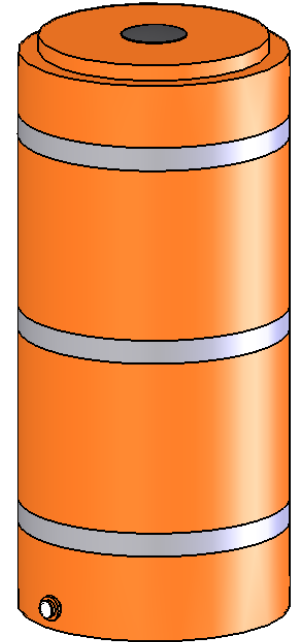
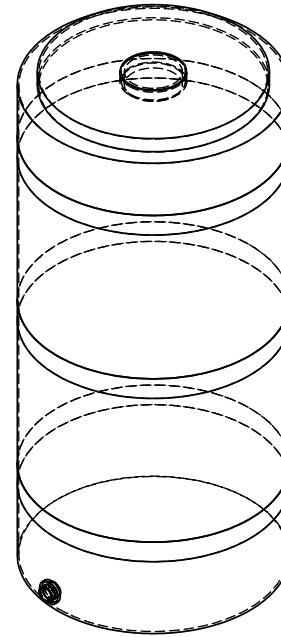
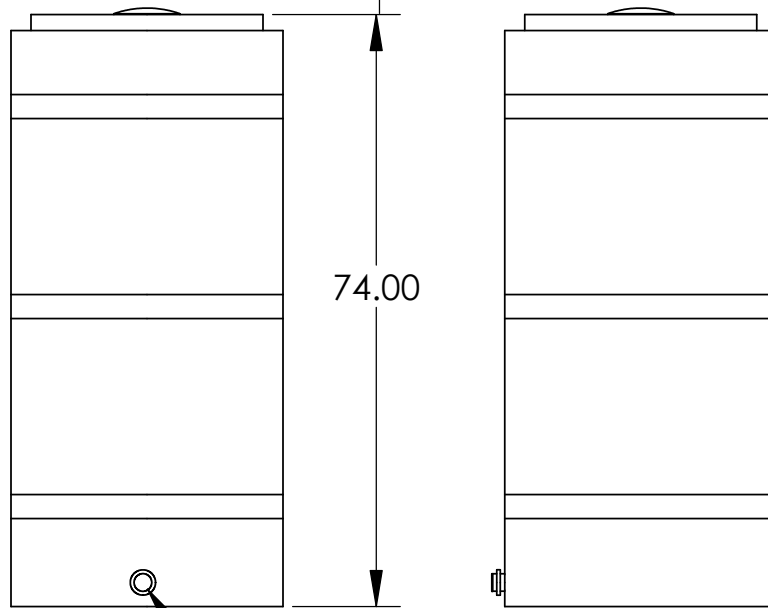
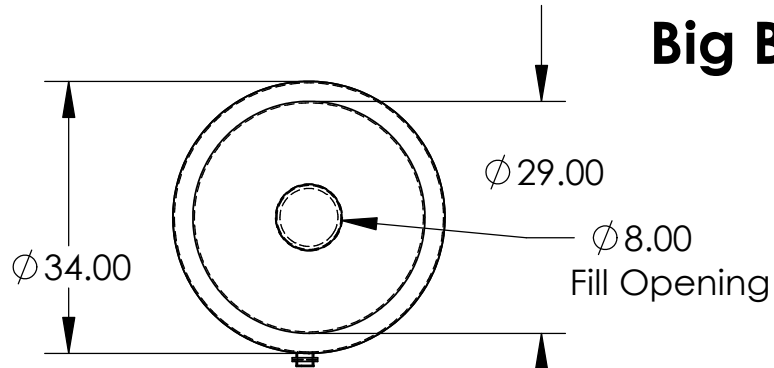


# Big Barrier VTB-250



Weight - 65 lbs  
 Water-filled Weight - 2065 lbs  
 Sand-filled Weight - 3315 lbs

**PROPRIETARY AND CONFIDENTIAL**

The information contained in this drawing is the sole property of DIXIE POLY DRUM CORP. Any reproduction in part or as a whole without the written permission of DIXIE POLY DRUM CORP. is prohibited.

Dimensions are in inches  
 Material - LLD Polyethylene  
 2" and 8" plugs included  
 Color - Orange with three white reflective horizontal stripes

Approval			DIXIE POLY DRUM CORP.		
Dept.	NAME	DATE	TITLE:		
			Big Barrier VTB-250		
			SIZE	DWG. NO.	REV
			<b>A</b>		
					SHEET 1 OF 1