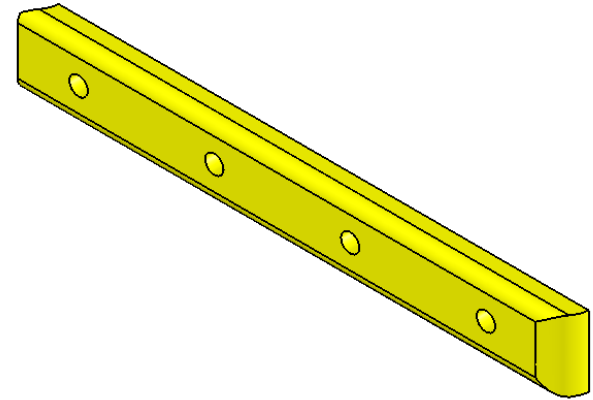
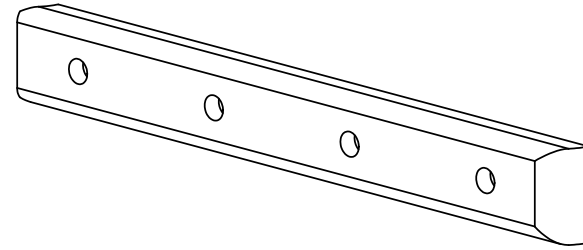
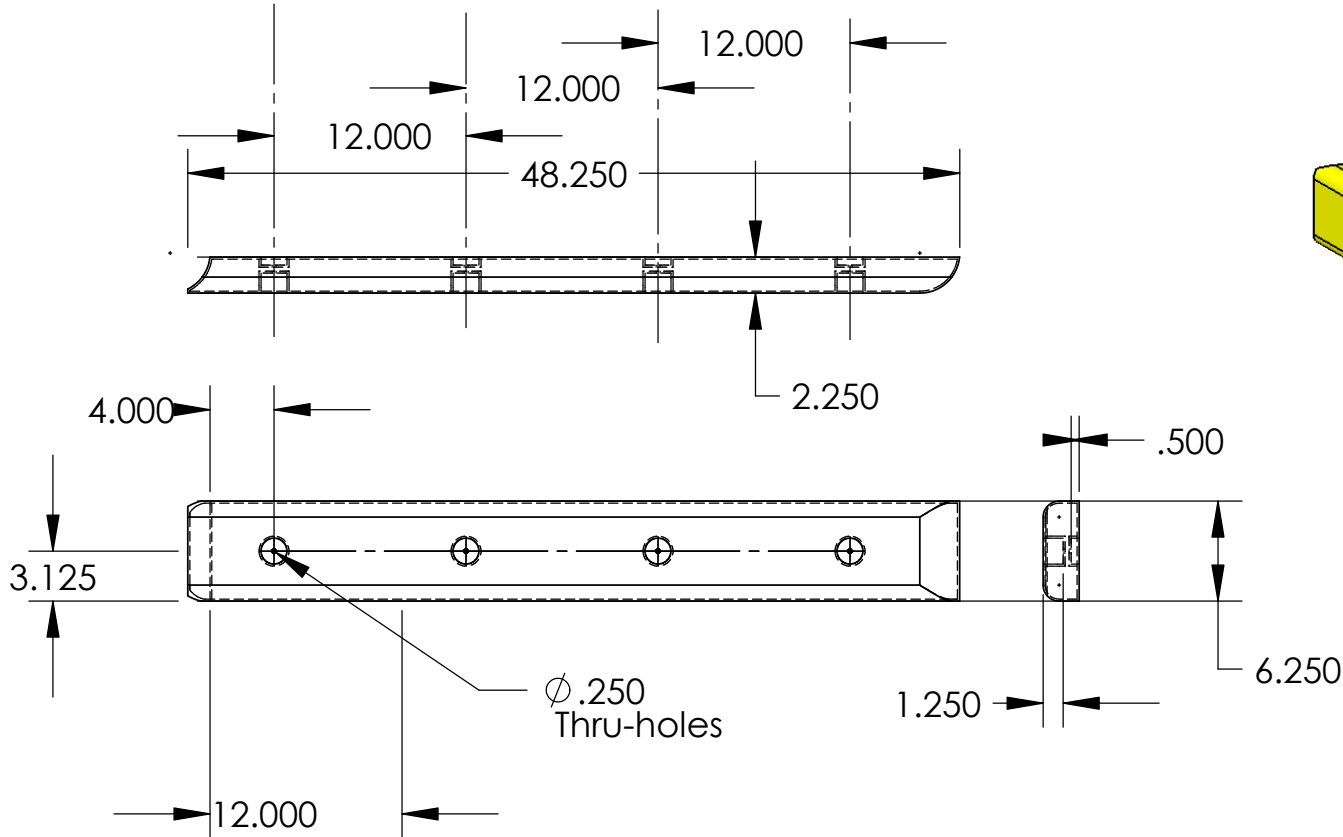


BUMPER GUARD

To prevent impact and abrasion damage to building walls and equipment.



Material - Linear Polyethylene
 Weight - 4 pounds
 Color - Yellow
 Installation - Four quarter inch anchor bolts (not provided)
 Two per box

PROPRIETARY AND CONFIDENTIAL

The information contained in this drawing is the sole property of DIXIE POLY DRUM CORP. Any reproduction in part or as a whole without the written permission of DIXIE POLY DRUM CORP. is prohibited.

Approval			DIXIE POLY DRUM CORP.		
Dept.	NAME	DATE	TITLE:		
			Bumper Guard		
8/8/03			SIZE	DWG. NO.	REV
			A		
					SHEET 1 OF 1