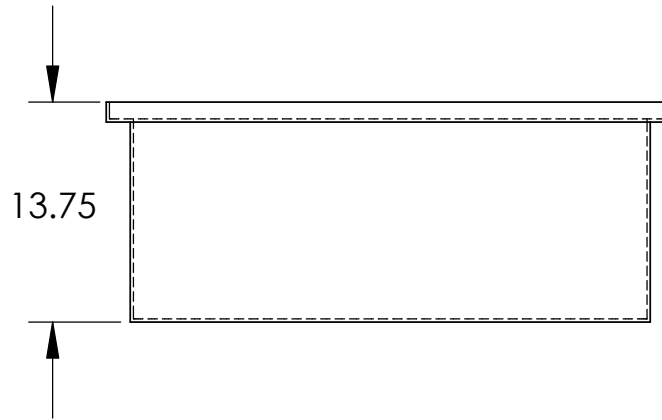
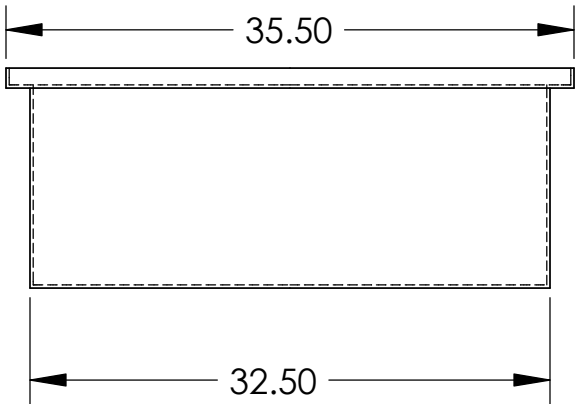
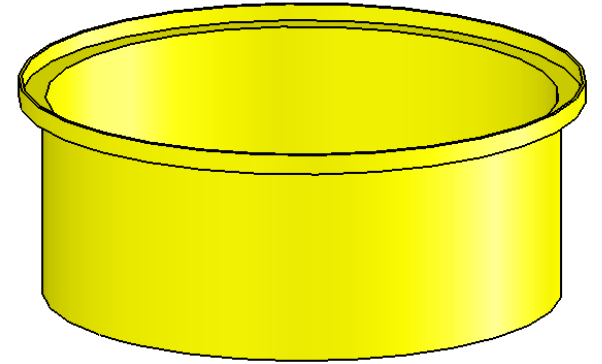
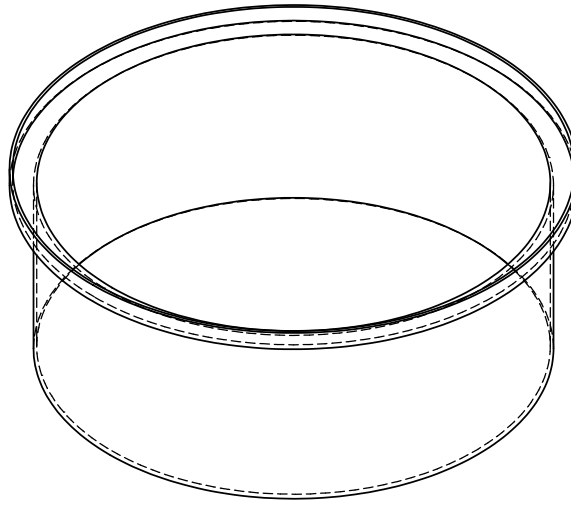
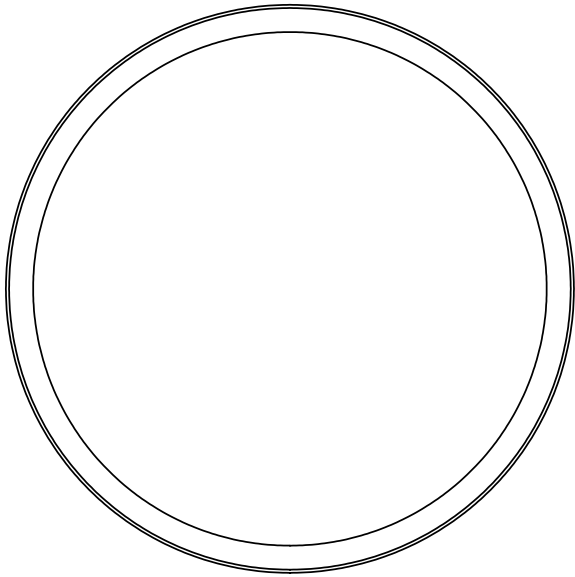


Catch Basin



Color: Yellow
 Weight: 15 lbs
 Wall Thickness: .20"

PROPRIETARY AND CONFIDENTIAL

The information contained in this drawing is the sole property of DIXIE POLY DRUM CORP. Any reproduction in part or as a whole without the written permission of DIXIE POLY DRUM CORP. is prohibited.

All Dimensions Are In Inches

MATERIAL
 L.L.D. Polyethylene
 FINISH
 Smooth

Approval			DIXIE POLY DRUM CORP.	
Dept.	NAME	DATE	TITLE:	
			BNR Spill Tub	
			SIZE	REV
			A	
			DWG. NO.	
			ANDREW SEARLES	SHEET 1 OF 1