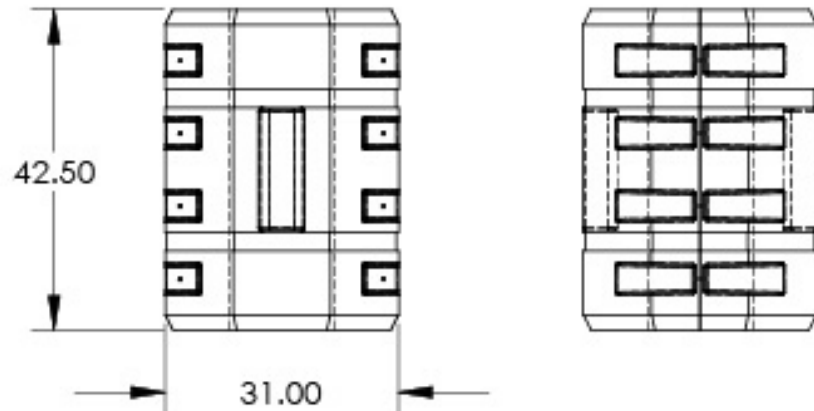
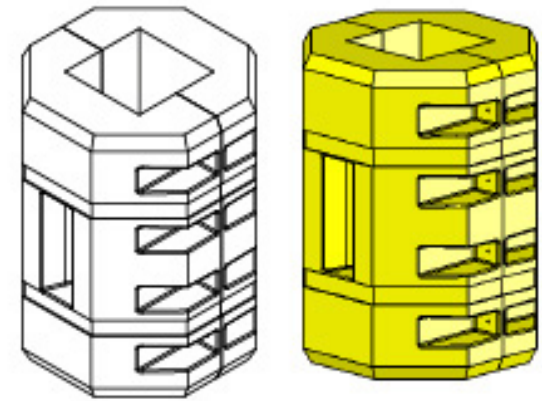
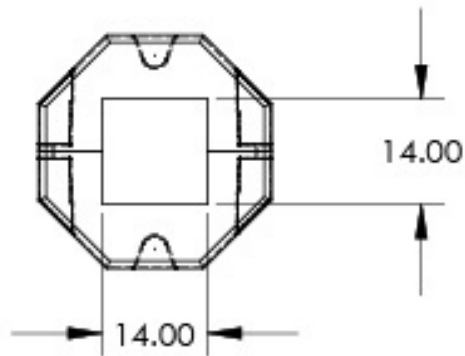


14 inch Column Protector

B-14



Color: Yellow
 Weight Total: 70 lbs
 Attachment: 8 Nylon Bolts/Wingnuts
 (included)

PROPRIETARY AND CONFIDENTIAL

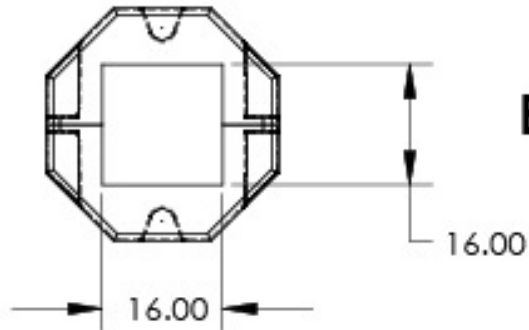
The information contained in this drawing is the sole property of DIXIE POLY DRUM CORP. Any reproduction in part or as a whole without the written permission of DIXIE POLY DRUM CORP. is prohibited.

All Dimensions Are In Inches

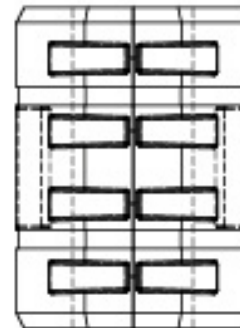
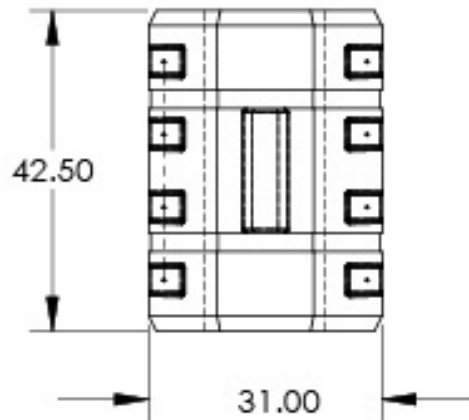
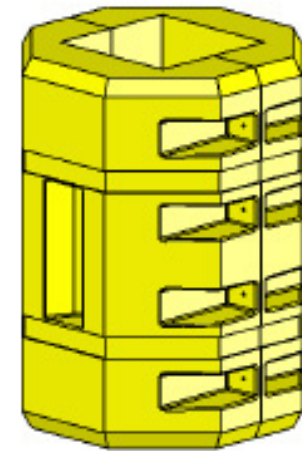
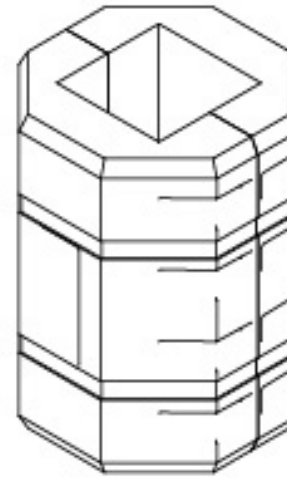
MATERIAL
 L.L.D. Polyethylene
 FINISH
 Smooth

| Approval | | | DIXIE POLY DRUM CORP. | |
|----------------|------|------|--------------------------|----------|
| Dept. | NAME | DATE | TITLE: | |
| | | | 14 inch Column Protector | |
| | | | SIZE | DWG. NO. |
| | | | A | |
| | | | REV | |
| ANDREW SEARLES | | | SHEET 1 OF 1 | |

16 inch column Protector



B-16



Color: Yellow
 Weight Total: 70 lbs
 Attachment: 8 Nylon Bolts/Wingnuts
 (included)

PROPRIETARY AND CONFIDENTIAL

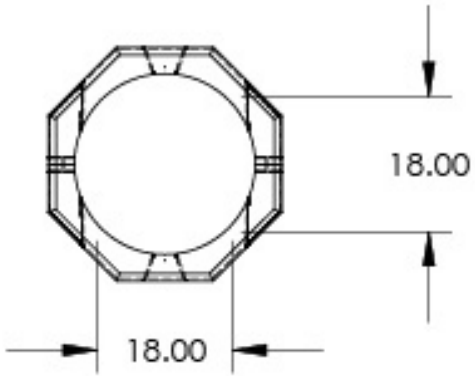
The information contained in this drawing is the sole property of DIXIE POLY DRUM CORP. Any reproduction in part or as a whole without the written permission of DIXIE POLY DRUM CORP. is prohibited.

All Dimensions Are In Inches

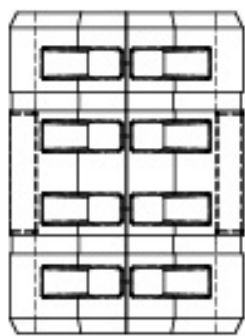
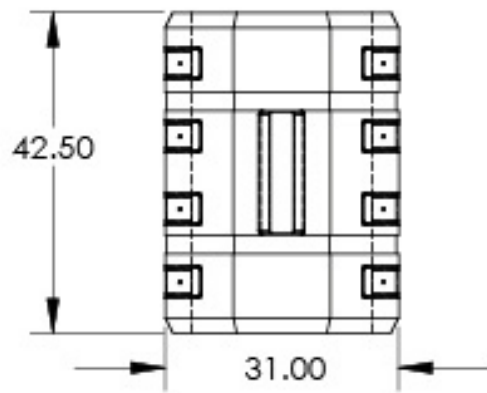
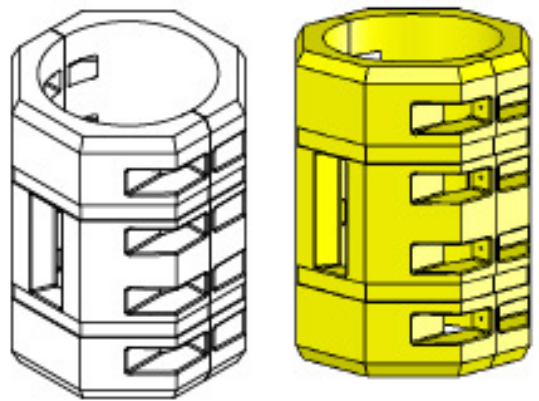
MATERIAL
 L.L.D. Polyethylene
 FINISH
 Smooth

| Approval | | | DIXIE POLY DRUM CORP. | |
|----------|------|------|--------------------------|--------------|
| Dept. | NAME | DATE | TITLE: | |
| | | | 16 inch Column Protector | |
| | | | SIZE | DWG. NO. |
| | | | A | |
| | | | REV | |
| | | | ANDREW SEARLES | SHEET 1 OF 1 |

18 inch Column Protector



B-18



Color: Yellow
 Weight: 70 lbs
 Attachment: 8 Nylon Bolts/Wingnuts
 (included)

PROPRIETARY AND CONFIDENTIAL

The information contained in this drawing is the sole property of DIXIE POLY DRUM CORP. Any reproduction in part or as a whole without the written permission of DIXIE POLY DRUM CORP. is prohibited.

All Dimensions Are In Inches

MATERIAL
 L.L.D. Polyethylene
 FINISH
 Smooth

| Approval | | | DIXIE POLY DRUM CORP. | | |
|----------------|------|------|--------------------------|--------------|-----|
| Dept. | NAME | DATE | TITLE: | | |
| | | | 18 inch Column Protector | | |
| | | | SIZE | DWG. NO. | REV |
| | | | A | | |
| ANDREW SEARLES | | | | SHEET 1 OF 1 | |