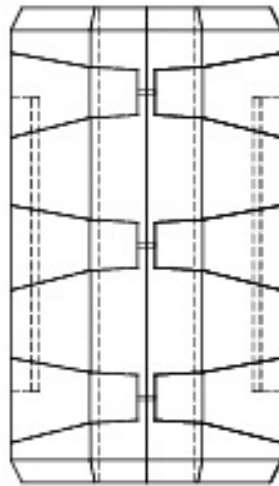
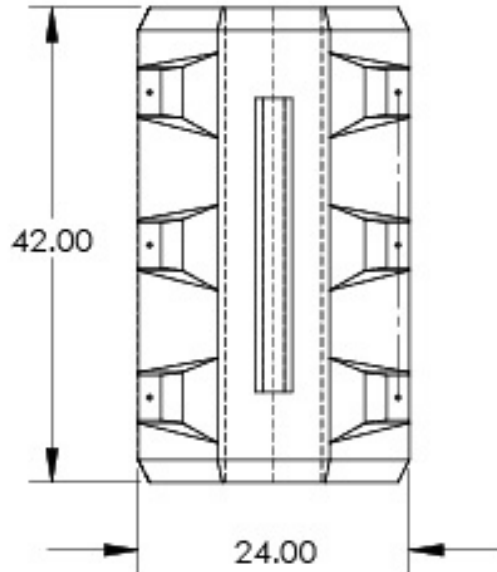
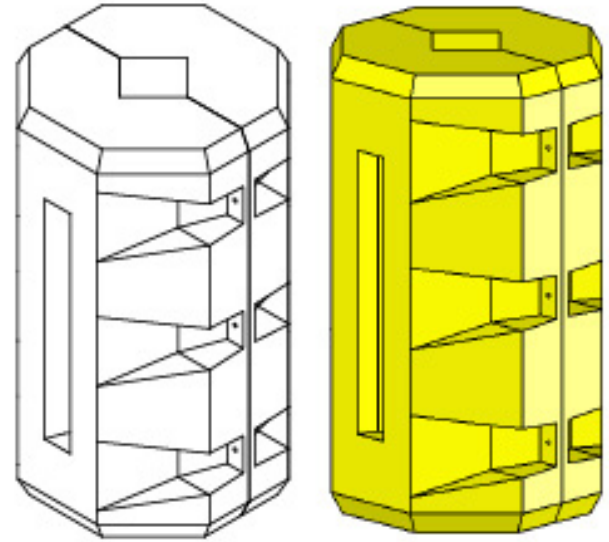
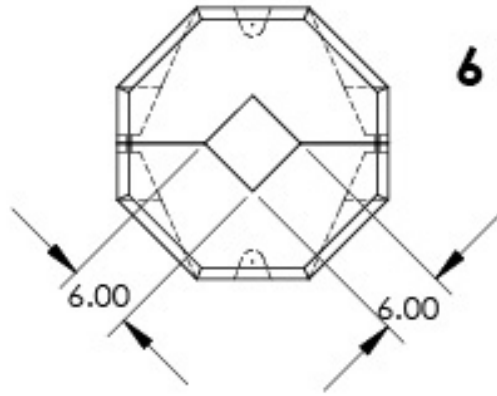


6 inch Column Protector

C-6



Color: Yellow
 Weight Total: 46 lbs
 Attachment: 6 Nylon bolts/wingnuts
 (included)

PROPRIETARY AND CONFIDENTIAL

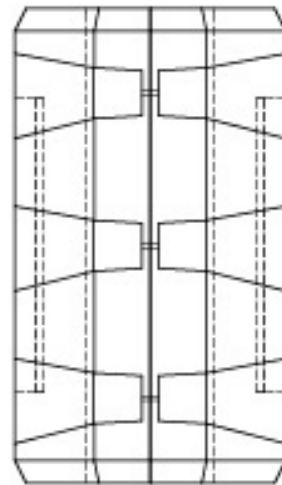
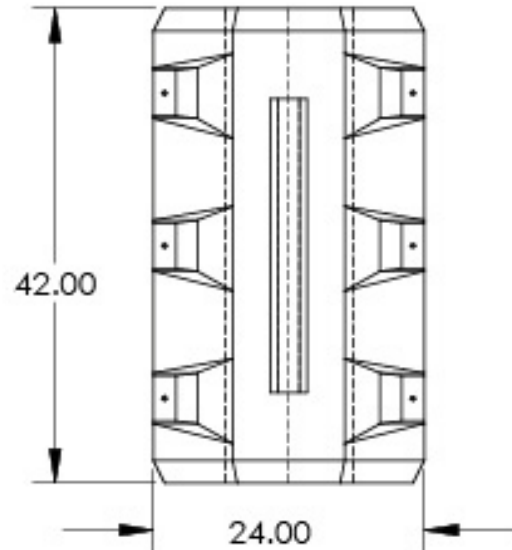
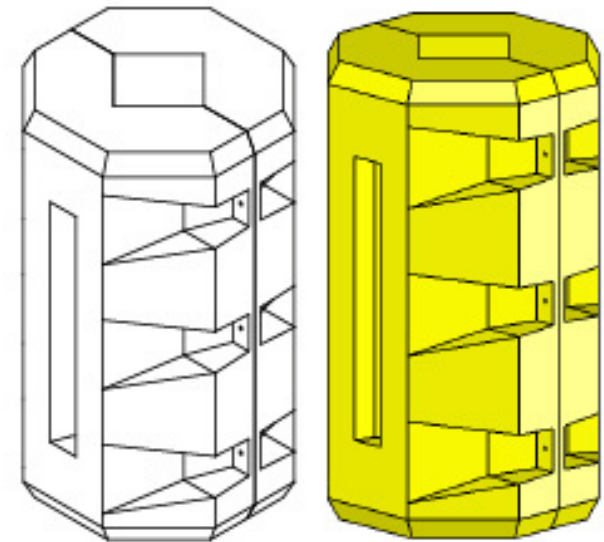
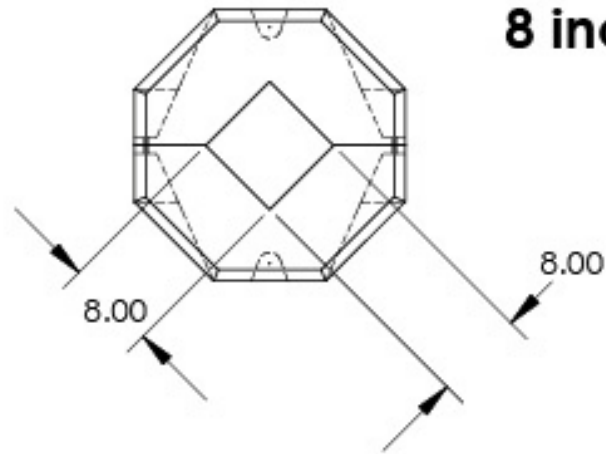
The information contained in this drawing is the sole property of DIXIE POLY DRUM CORP. Any reproduction in part or as a whole without the written permission of DIXIE POLY DRUM CORP. is prohibited.

MATERIAL
 L.L.D. Polyethylene
 FINISH
 Smooth

Approval			DIXIE POLY DRUM CORP.	
Dept.	NAME	DATE	TITLE:	
			6 inch Column Protector	
			SIZE	DWG. NO.
			A	REV
			ANDREW SEARLES	SHEET 1 OF 1

8 inch Column Protector

C-8



Color: Yellow
 Weight Total: 46 lbs
 Attachment: 6 Nylon Bolts/Wingnuts
 (included)

PROPRIETARY AND CONFIDENTIAL

The information contained in this drawing is the sole property of DIXIE POLY DRUM CORP. Any reproduction in part or as a whole without the written permission of DIXIE POLY DRUM CORP. is prohibited.

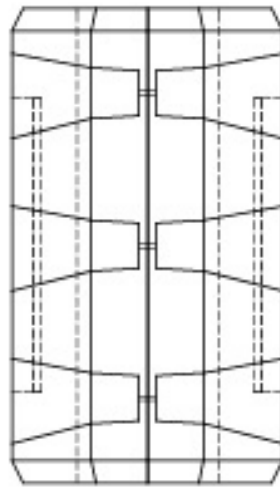
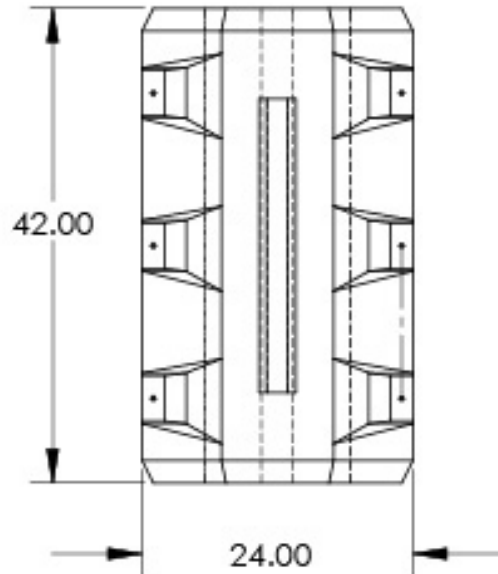
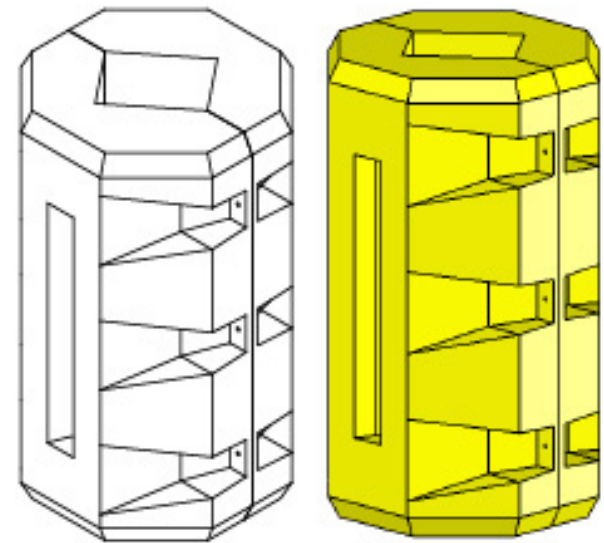
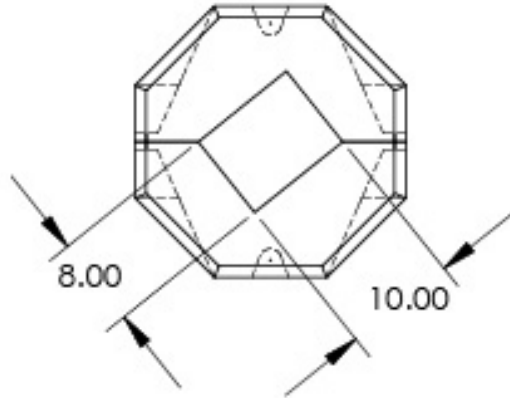
All Dimensions Are In Inches

MATERIAL
 L.L.D. Polyethylene
 FINISH
 Smooth

Approval			DIXIE POLY DRUM CORP.	
Dept.	NAME	DATE	TITLE:	
			8 inch Column Protector	
			SIZE	DWG. NO.
			A	
			REV	
			ANDREW SEARLES	SHEET 1 OF 1

8 x 10 inch Column Protector

C-8-10



Color : Yellow
 Weight Total: 46 lbs
 Attachment: 6 Nylon Bolts/wingnuts
 (included)

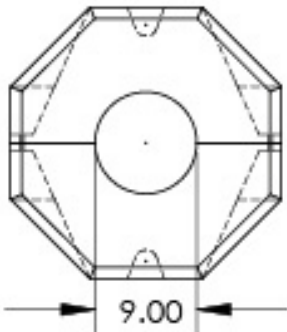
PROPRIETARY AND CONFIDENTIAL

The information contained in this drawing is the sole property of DIXIE POLY DRUM CORP. Any reproduction in part or as a whole without the written permission of DIXIE POLY DRUM CORP. is prohibited.

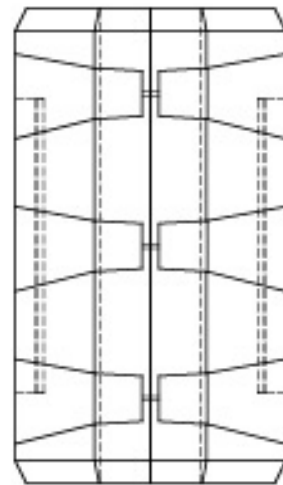
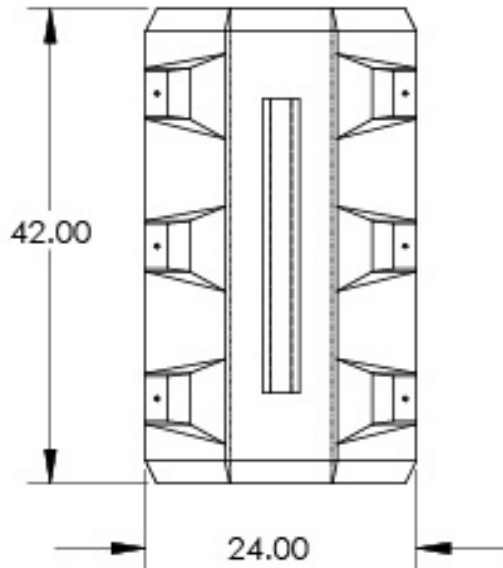
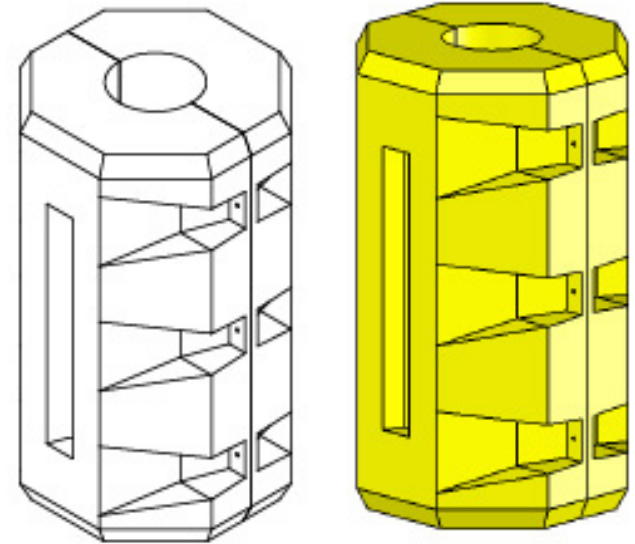
MATERIAL
 L.L.D. Polyethylene
 FINISH
 Smooth

Approval			DIXIE POLY DRUM CORP.	
Dept.	NAME	DATE	TITLE:	
			8 x 10 inch Column Protector	
			SIZE	DWG. NO.
			A	REV
			ANDREW SEARLES	SHEET 1 OF 1

9 inch round Column Protector



C-9R



Color: Yellow
 Weight Total: 46 lbs
 Attachment: 6 Nylon Bolts/Wingnuts
 (included)

PROPRIETARY AND CONFIDENTIAL

The information contained in this drawing is the sole property of DIXIE POLY DRUM CORP. Any reproduction in part or as a whole without the written permission of DIXIE POLY DRUM CORP. is prohibited.

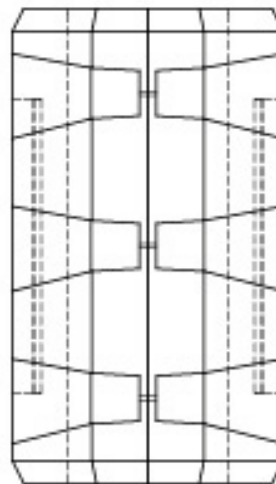
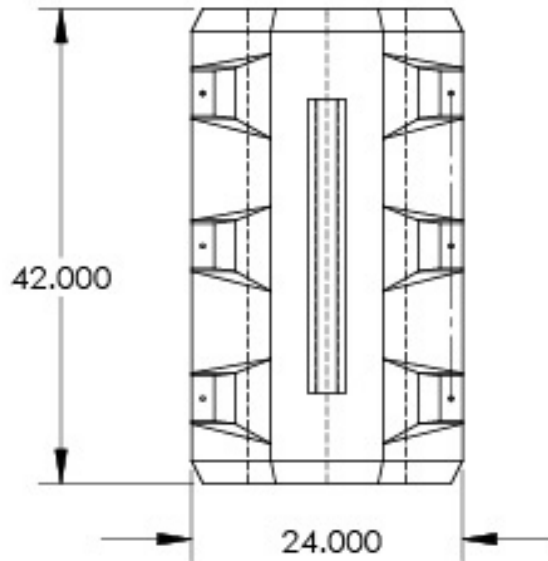
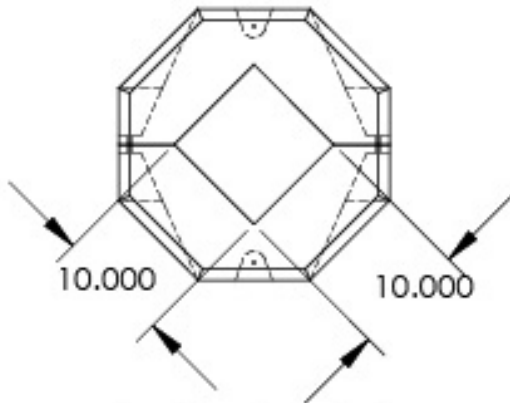
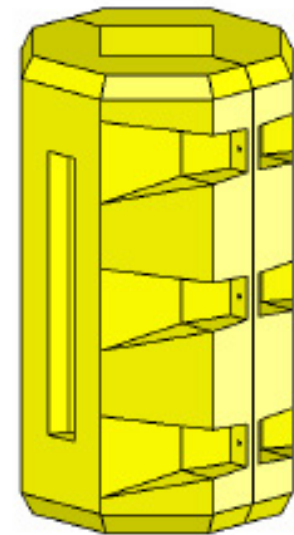
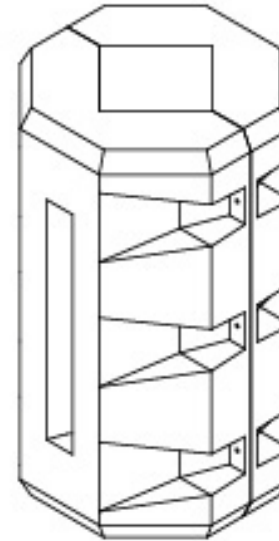
All Dimensions Are In Inches

MATERIAL
 L.L.D. Polyethylene
 FINISH
 Smooth

Approval			DIXIE POLY DRUM CORP.	
Dept.	NAME	DATE	TITLE:	
			9 inch round Column Protector	
			SIZE	DWG. NO.
			A	
			REV	
ANDREW SEARLES			SHEET 1 OF 1	

10 inch Column Protector

C-10



Color: Yellow
 Weight Total: 46 lbs
 Attachment: 6 Nylon Bolts/Wingnuts

PROPRIETARY AND CONFIDENTIAL

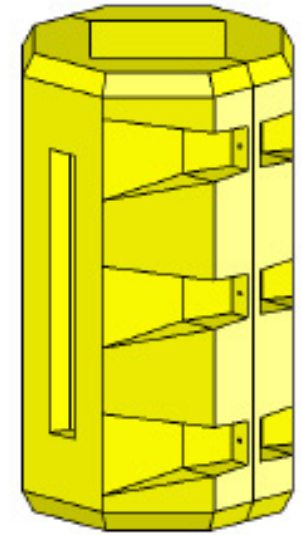
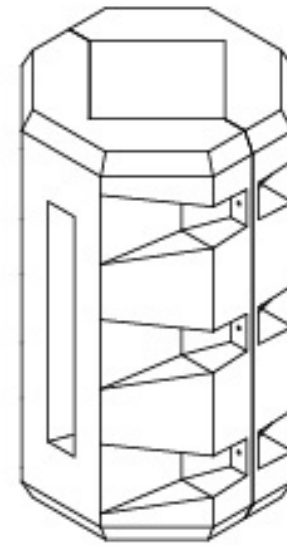
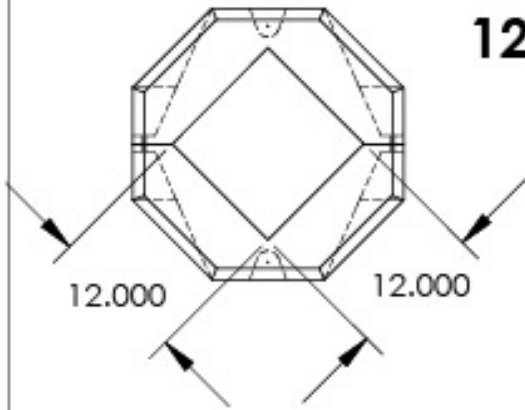
The information contained in this drawing is the sole property of DIXIE POLY DRUM CORP. Any reproduction in part or as a whole without the written permission of DIXIE POLY DRUM CORP. is prohibited.

MATERIAL
 L.L.D. Polyethylene
 FINISH
 Smooth

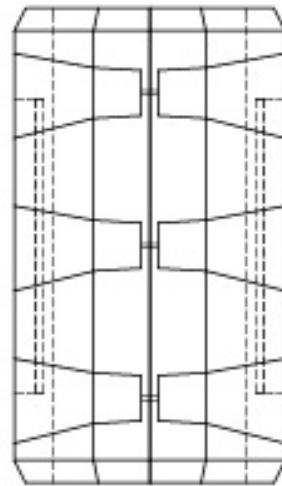
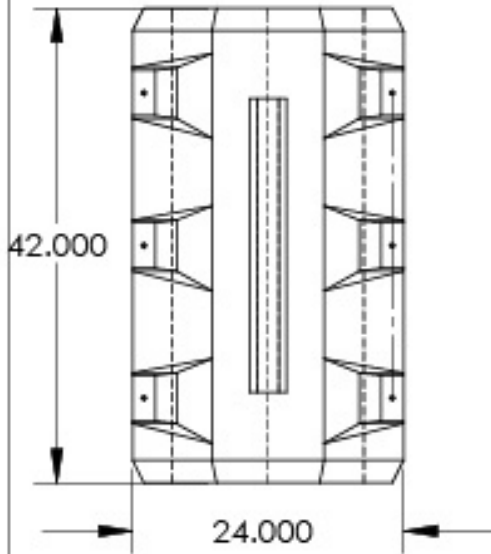
Approval			DIXIE POLY DRUM CORP.	
Dept.	NAME	DATE	TITLE:	
			10 inch Column Protector	
			SIZE	DWG. NO.
			A	REV
			ANDREW SEARLES	SHEET 1 OF 1

12 inch Column Protector

C-12



Color: Yellow
 Weight Total: 46 lbs
 Attachment: 6 Nylon Bolts/Wing Nuts
 (included)



PROPRIETARY AND CONFIDENTIAL

The information contained in this drawing is the sole property of DIXIE POLY DRUM CORP. Any reproduction in part or as a whole without the written permission of DIXIE POLY DRUM CORP. is prohibited.

MATERIAL
 L.L.D. Polyethylene
 FINISH
 Smooth

Approval			DIXIE POLY DRUM CORP.	
Dept.	NAME	DATE	TITLE:	
			12 inch Column Protector	
			SIZE	DWG. NO.
			A	
			REV	
			ANDREW SEARLES	SHEET 1 OF 1