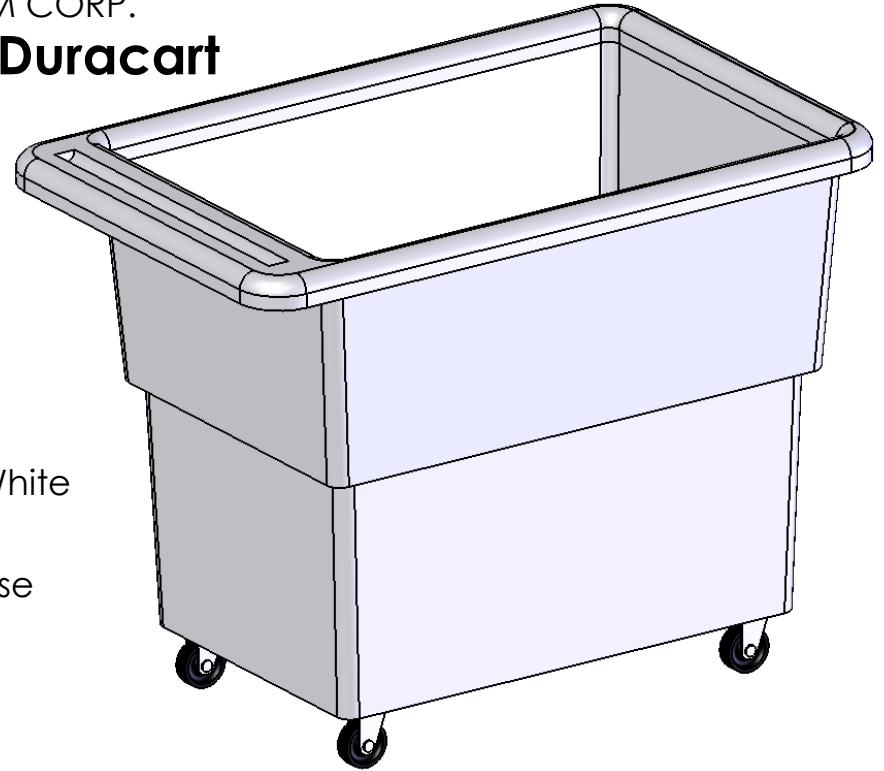
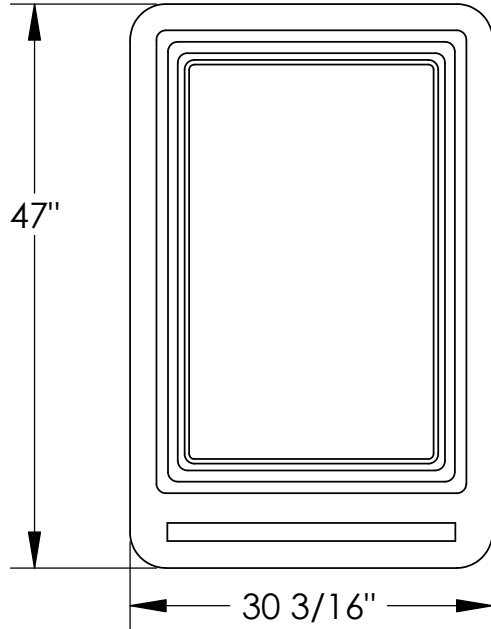
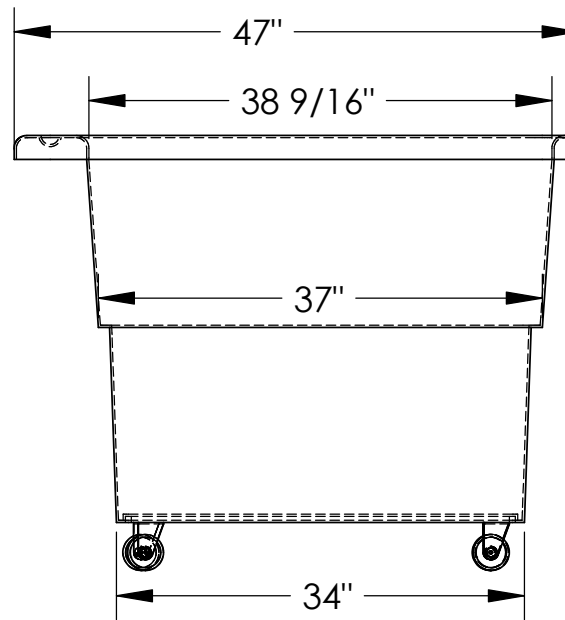
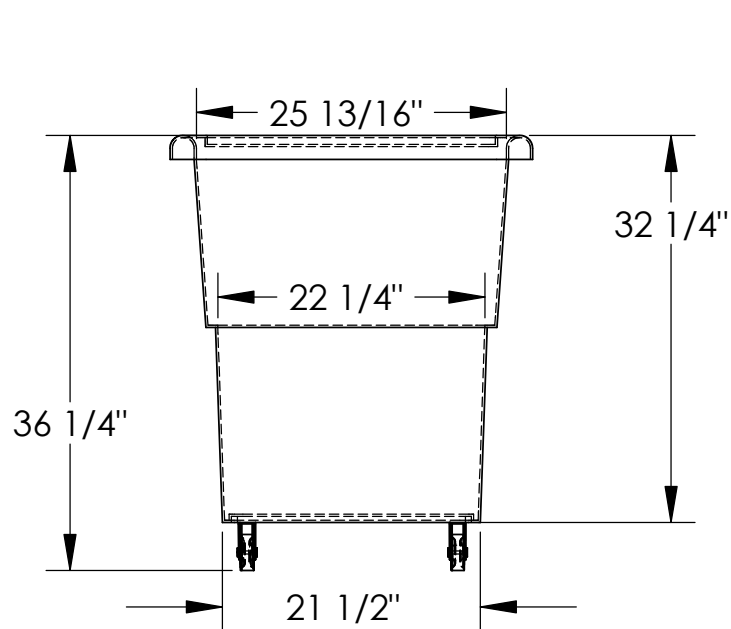


DIXIE POLY DRUM CORP.
14 Cubic Foot Duracart



Colors: Black, Gray or White
Weight: 40 lbs

Plywood Reinforced Base
Four Swivel Casters



PROPRIETARY AND CONFIDENTIAL

The information contained in this drawing is the sole property of DIXIE POLY DRUM CORP. Any reproduction in part or as a whole without the written permission of DIXIE POLY DRUM CORP. is prohibited.