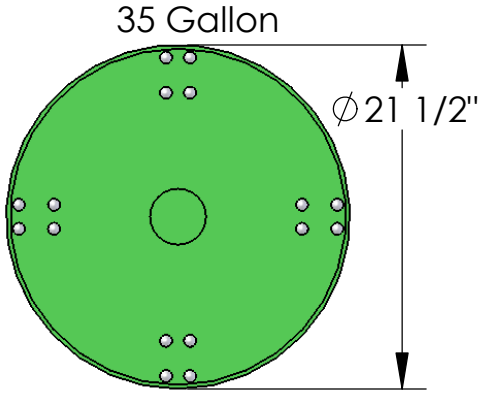
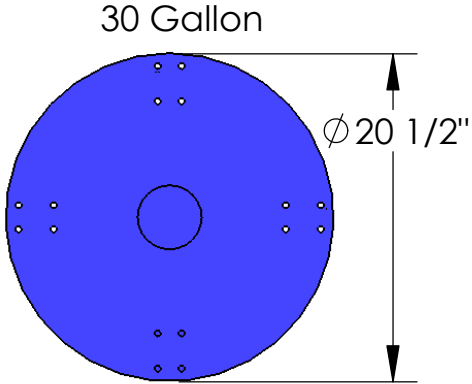
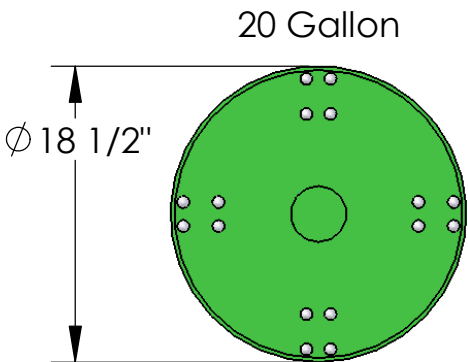
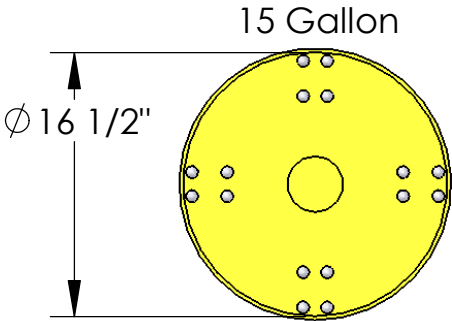
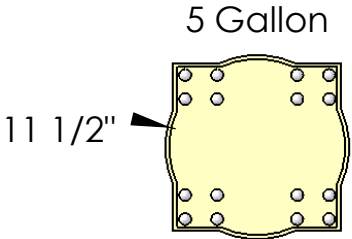
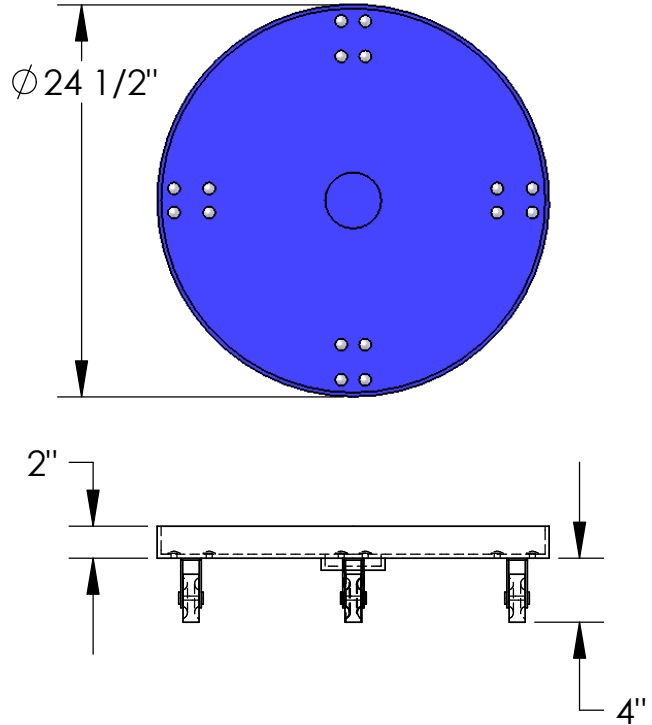


DIXIE POLY DRUM CORP.
DRUM DOLLIES

55 Gallon Drum Dollie

Material: LLDPE Polyethylene
 Casters: 3" Phenolic Wheels on
 Zinc-Plated Steel Swivel Frames
 Weight: 13 lbs
 Weight Capacity: 600 lbs
 Wall Thickness: .25"
 Colors: Blue, Black, Red, Green,
 Yellow or White



PROPRIETARY AND CONFIDENTIAL

The information contained in this drawing is the sole property of DIXIE POLY DRUM CORP. Any reproduction in part or as a whole without the written permission of DIXIE POLY DRUM CORP. is prohibited.