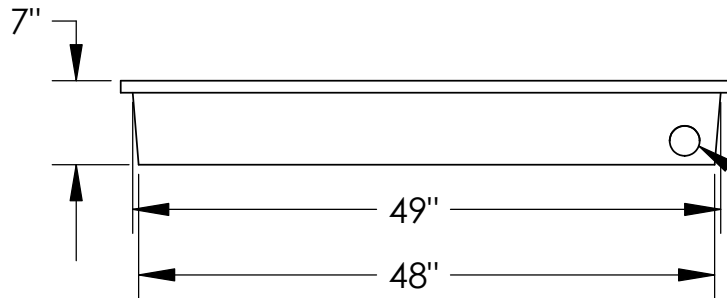
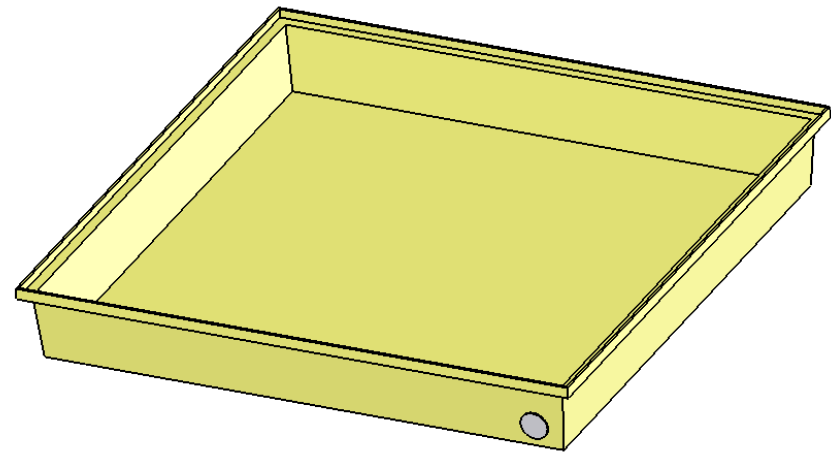
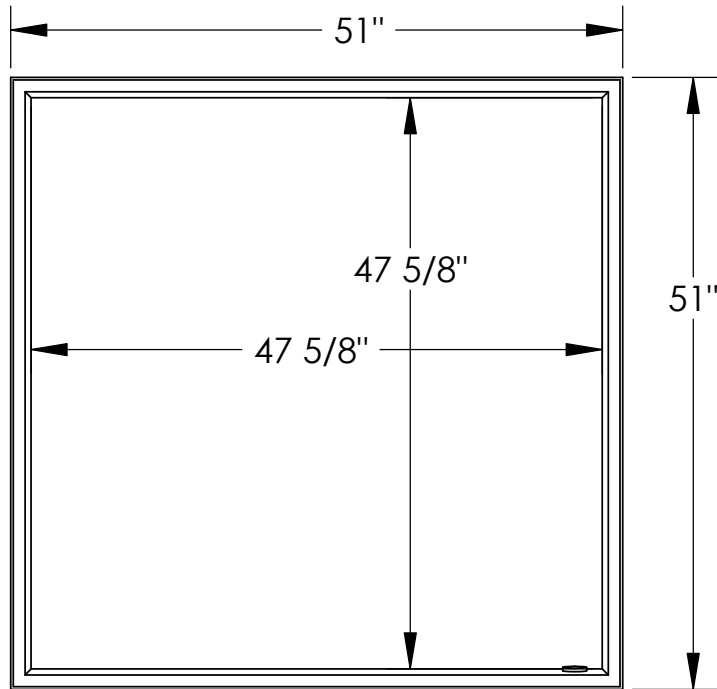


DIXIE POLY DRUM CORP.

FOUR DRUM ECONODIKE

Material: LLDPE Polyethylene
Wall Thickness: .22" nominal
Weight: 30 lbs
Sump Capacity: 72 Gallons
Standard Color: Yellow



2" NPT Threaded Drain Plug

PROPRIETARY AND CONFIDENTIAL

The information contained in this drawing is the sole property of DIXIE POLY DRUM CORP. Any reproduction in part or as a whole without the written permission of DIXIE POLY DRUM CORP. is prohibited.