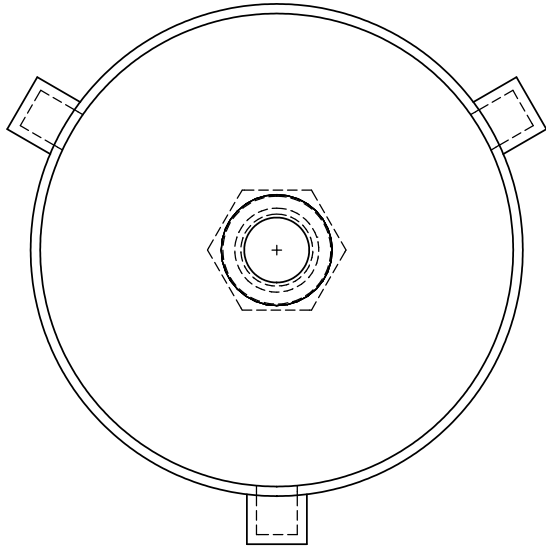
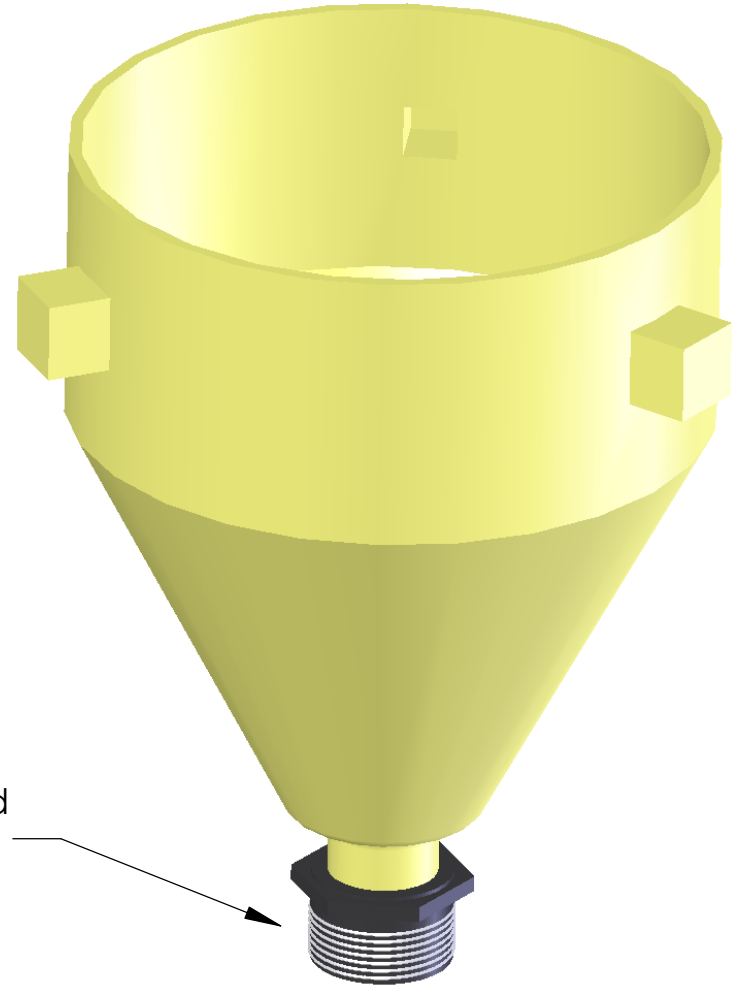
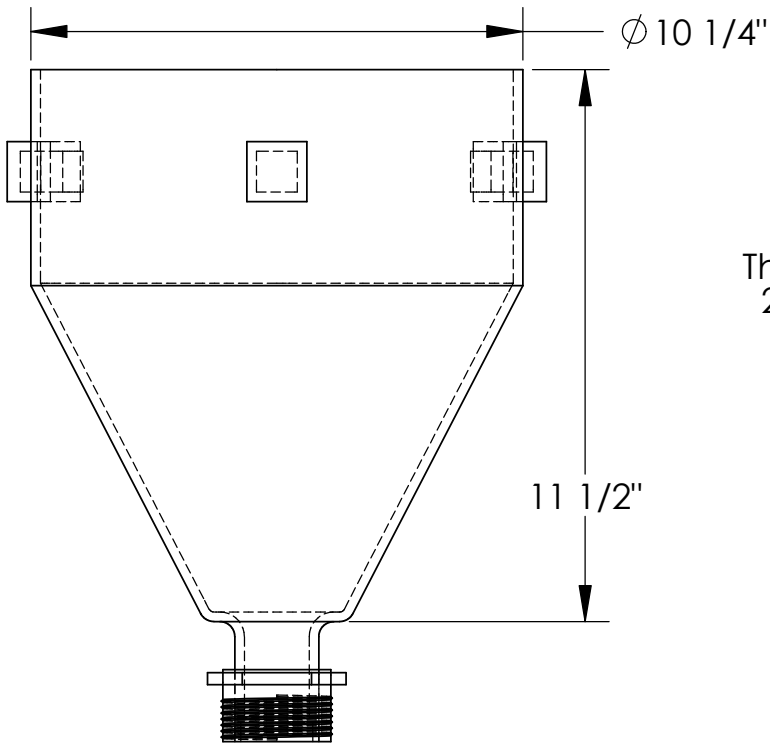


DIXIE POLY DRUM CORP.  
**Threaded Drum Funnel**



Color: Yellow  
Material: Polyethylene  
Wall Thickness: 3/16"  
Weight: 2.5 lbs  
Volume: 2.6 Gallons



Threads fit into standard  
2" FNPT drum opening

**PROPRIETARY AND CONFIDENTIAL**

The information contained in this drawing is the sole property of DIXIE POLY DRUM CORP. Any reproduction in part or as a whole without the written permission of DIXIE POLY DRUM CORP. is prohibited.