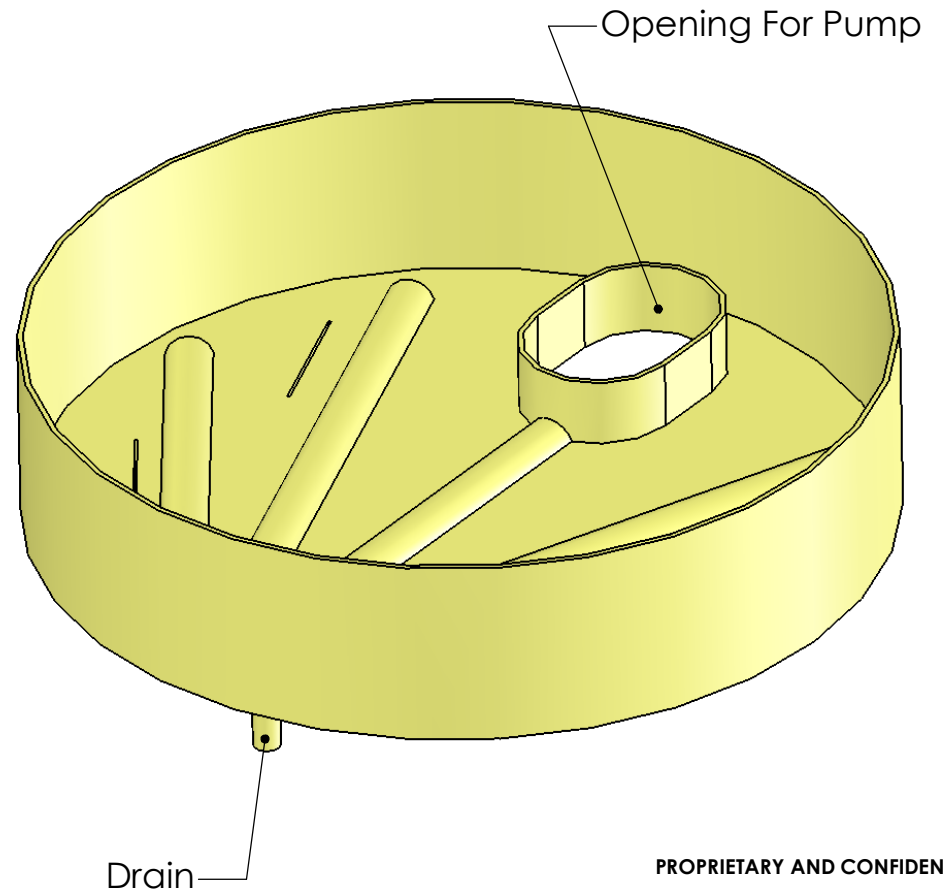
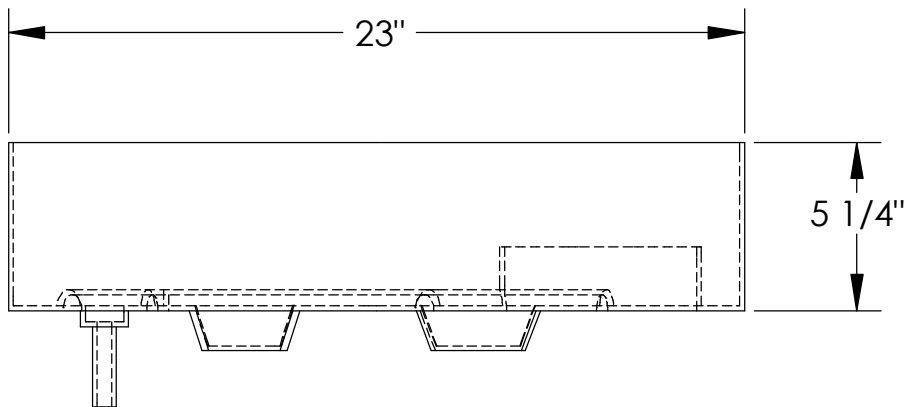
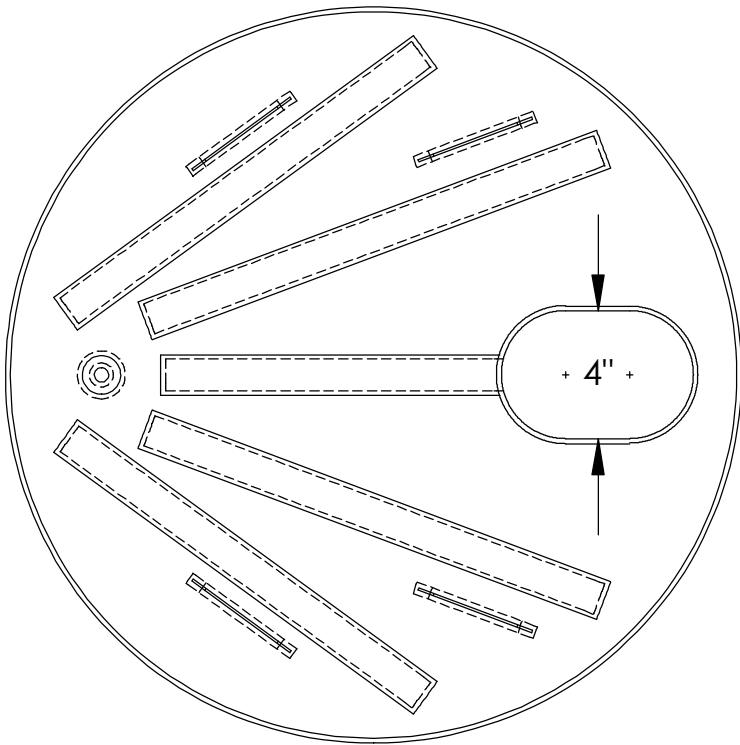


DIXIE POLY DRUM CORP.

Drum Pump Funnel

Color: Yellow
Material: Polyethylene
Wall Thickness: .15"
Weight: 4.5 lbs
Volume: 5 Gallons



PROPRIETARY AND CONFIDENTIAL

The information contained in this drawing is the sole property of DIXIE POLY DRUM CORP. Any reproduction in part or as a whole without the written permission of DIXIE POLY DRUM CORP. is prohibited.