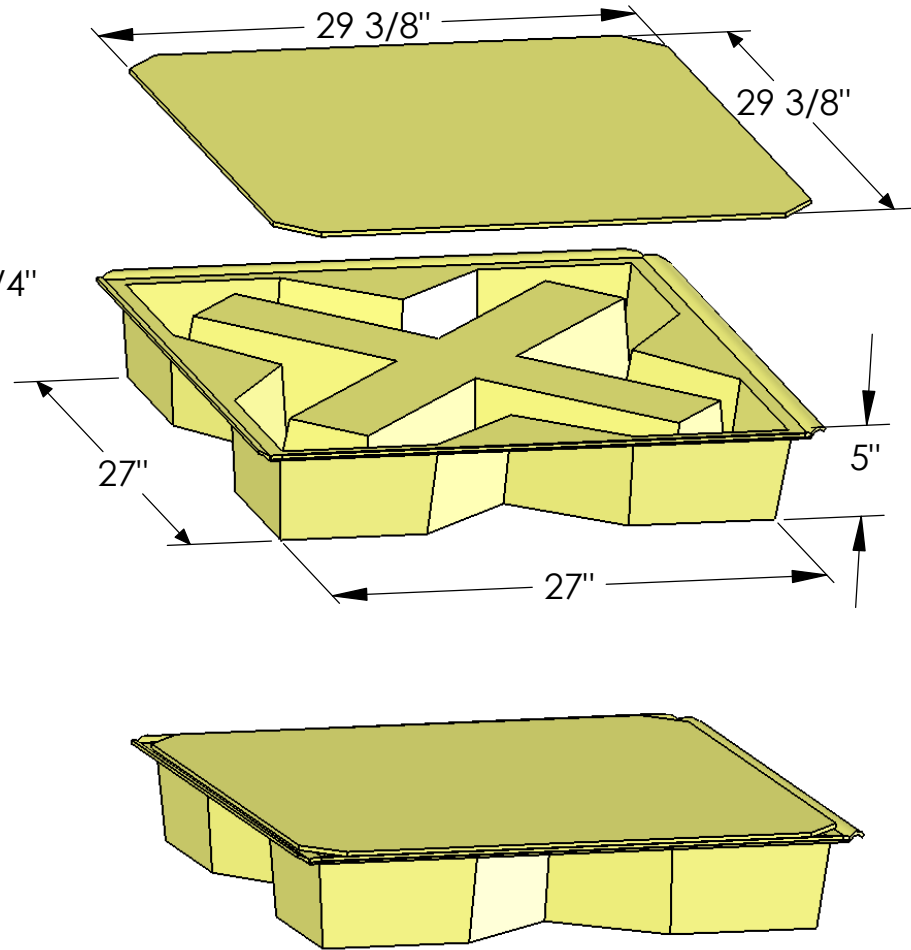
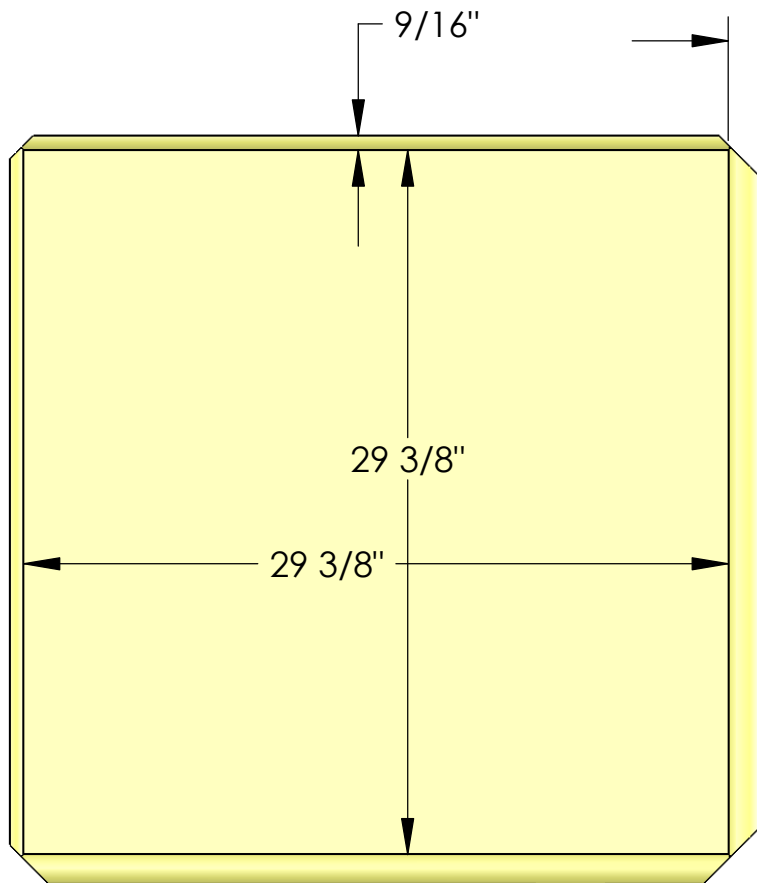


DIXIE POLY DRUM CORP.

# Interlocking Spill Deck

Material: Polyethylene  
Color: Yellow  
Weight: 19 lbs  
Weight Capacity: 700 lbs  
Sump Capacity: 9 Gallons



**PROPRIETARY AND CONFIDENTIAL**

The information contained in this drawing is the sole property of DIXIE POLY DRUM CORP. Any reproduction in part or as a whole without the written permission of DIXIE POLY DRUM CORP. is prohibited.