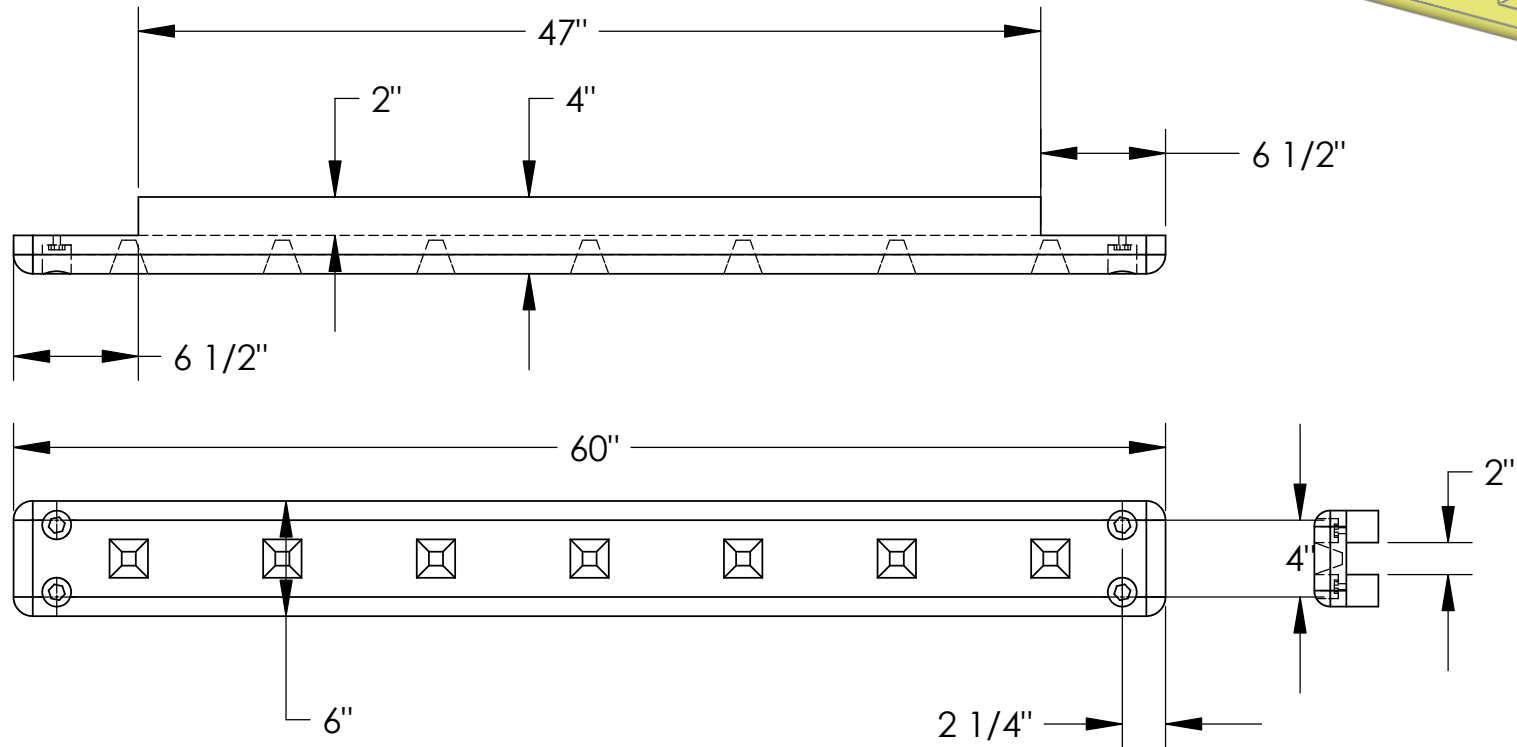
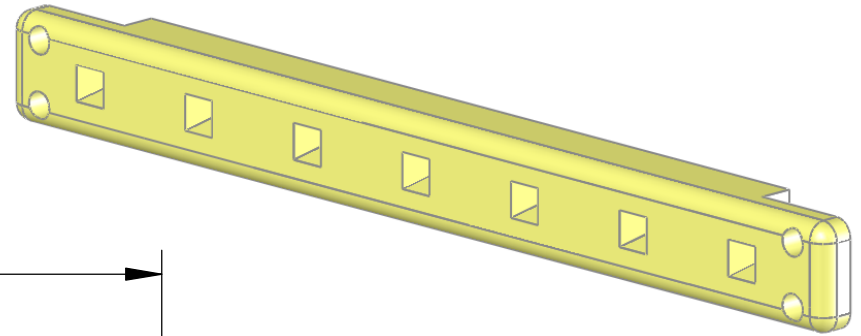


Poly Guardrail Crossbar

Material: Low Density Polyethylene
 Weight: 12 LBS
 Color: Yellow



PROPRIETARY AND CONFIDENTIAL

The information contained in this drawing is the sole property of DIXIE POLY DRUM CORP. Any reproduction in part or as a whole without the written permission of DIXIE POLY DRUM CORP. is prohibited.

MATERIAL
 L.L.D. Polyethylene
 FINISH
 Smooth

Approval			DIXIE POLY DRUM CORP.		
Dept.	NAME	DATE	TITLE:		
			SIZE	DWG. NO.	REV
			A		
ANDREW SEARLES				SHEET 1 OF 1	