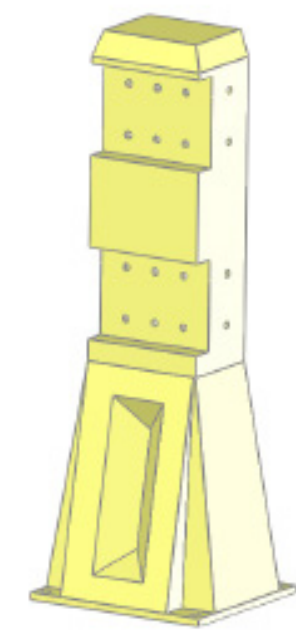
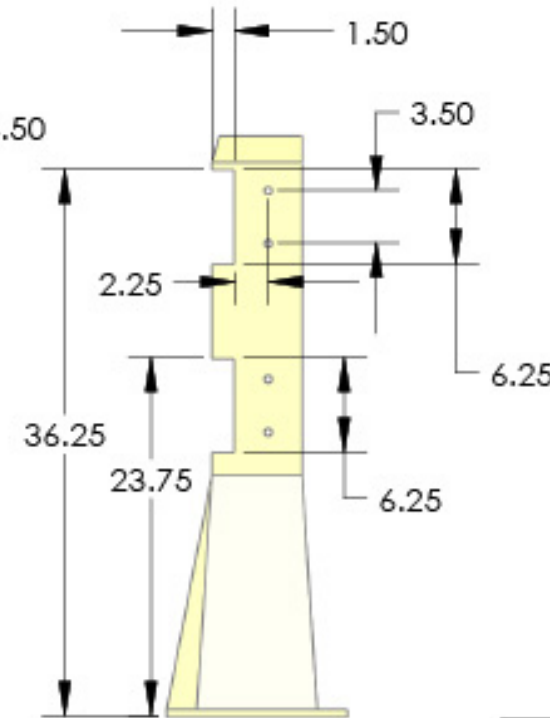
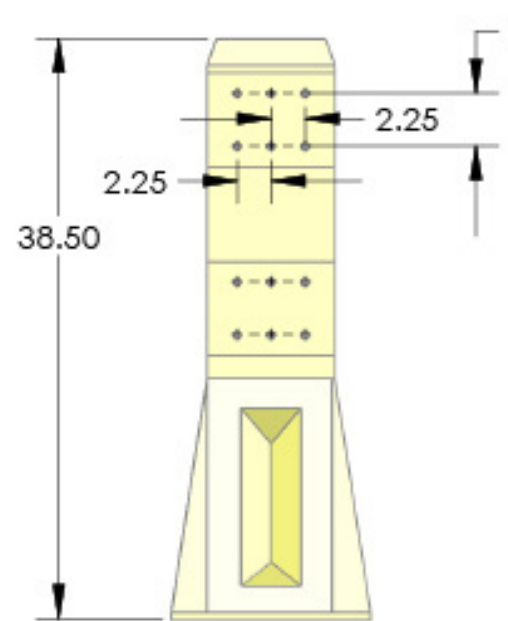
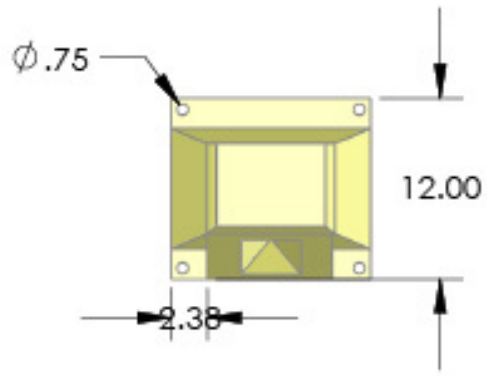


Poly Guardrail Post

Inline, End or Corner Post



Material: Low Density Polyethylene
 Weight: 10 LBS
 Color: Yellow

PROPRIETARY AND CONFIDENTIAL

The information contained in this drawing is the sole property of DIXIE POLY DRUM CORP. Any reproduction in part or as a whole without the written permission of DIXIE POLY DRUM CORP. is prohibited.

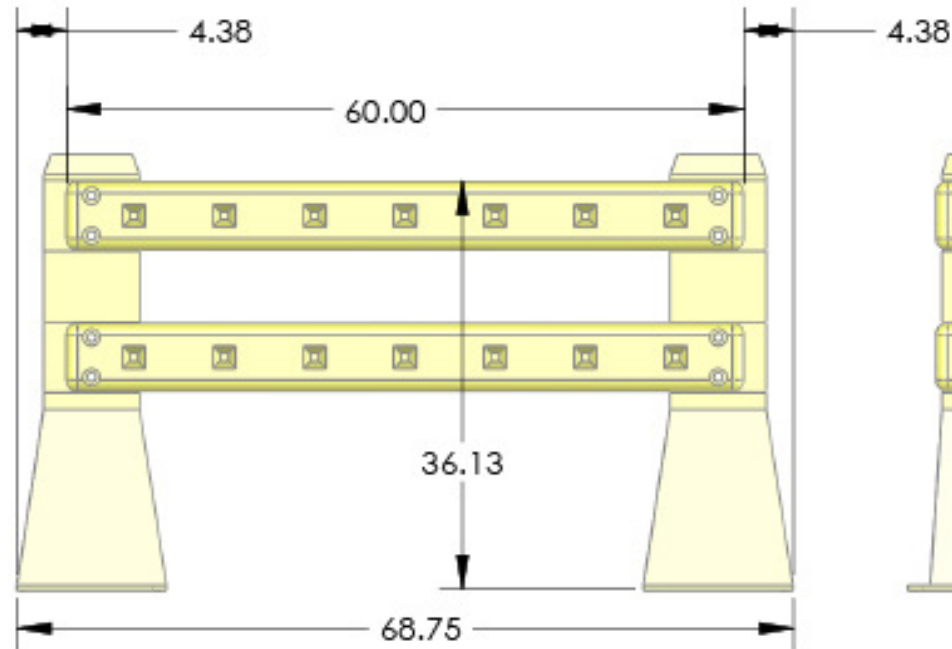
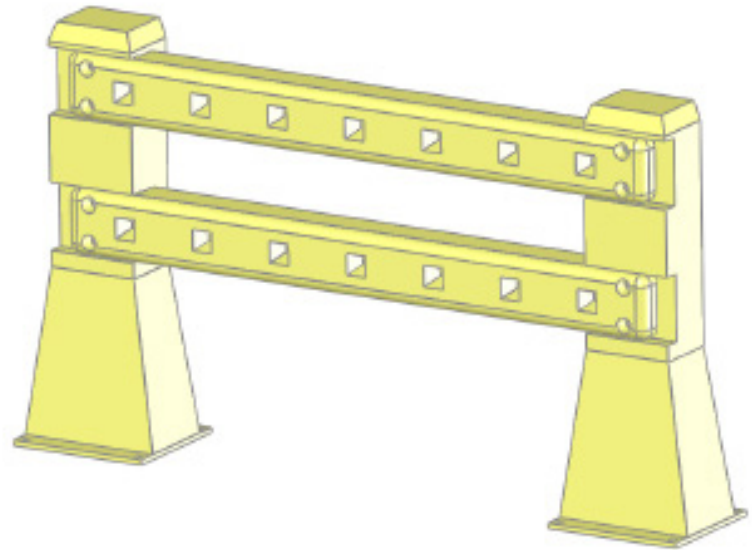
All Dimensions Are In Inches

MATERIAL
 L.L.D. Polyethylene

FINISH
 Smooth

Approval			DIXIE POLY DRUM CORP.		
Dept.	NAME	DATE	TITLE:		
SIZE		DWG. NO.	REV		
A					
ANDREW SEARLES				SHEET 1 OF 1	

Poly Guardrail Assembly - Two Endposts



PROPRIETARY AND CONFIDENTIAL

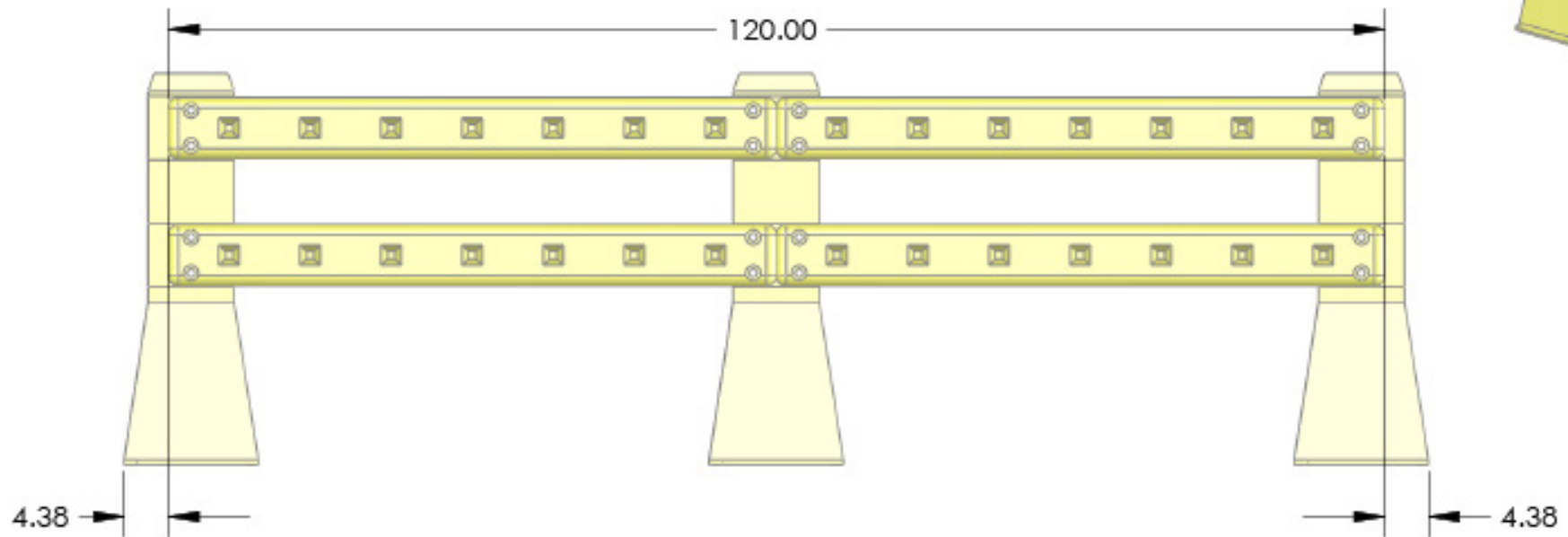
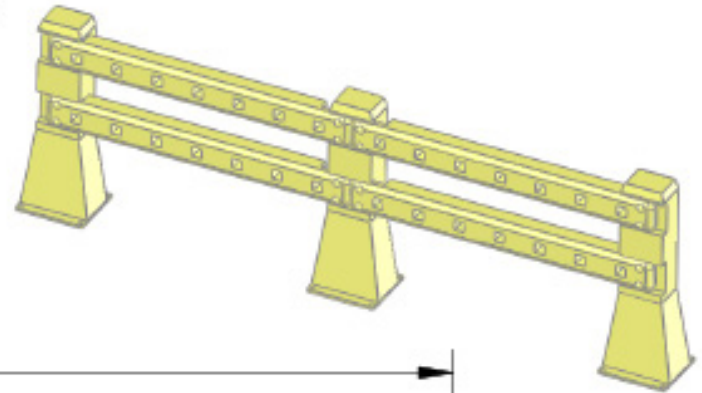
The information contained in this drawing is the sole property of DIXIE POLY DRUM CORP. Any reproduction in part or as a whole without the written permission of DIXIE POLY DRUM CORP. is prohibited.

All Dimensions Are In Inches

MATERIAL
L.L.D. Polyethylene
FINISH
Smooth

Approval			DIXIE POLY DRUM CORP.	
Dept.	NAME	DATE	TITLE:	
			SIZE	DWG. NO.
			A	
			REV	
			ANDREW SEARLES	SHEET 1 OF 1

Poly Guardrail Assembly - Two Endposts, One Inline post



PROPRIETARY AND CONFIDENTIAL

The information contained in this drawing is the sole property of DIXIE POLY DRUM CORP. Any reproduction in part or as a whole without the written permission of DIXIE POLY DRUM CORP. is prohibited.

All Dimensions Are In Inches

MATERIAL
L.L.D. Polyethylene

FINISH
Smooth

Approval			DIXIE POLY DRUM CORP.		
Dept.	NAME	DATE	TITLE:		
			SIZE	DWG. NO.	REV
			A		
ANDREW SEARLES				SHEET 1 OF 1	

5

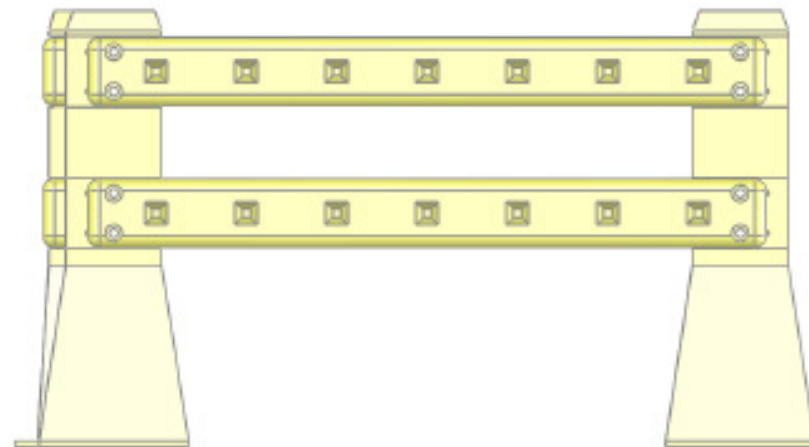
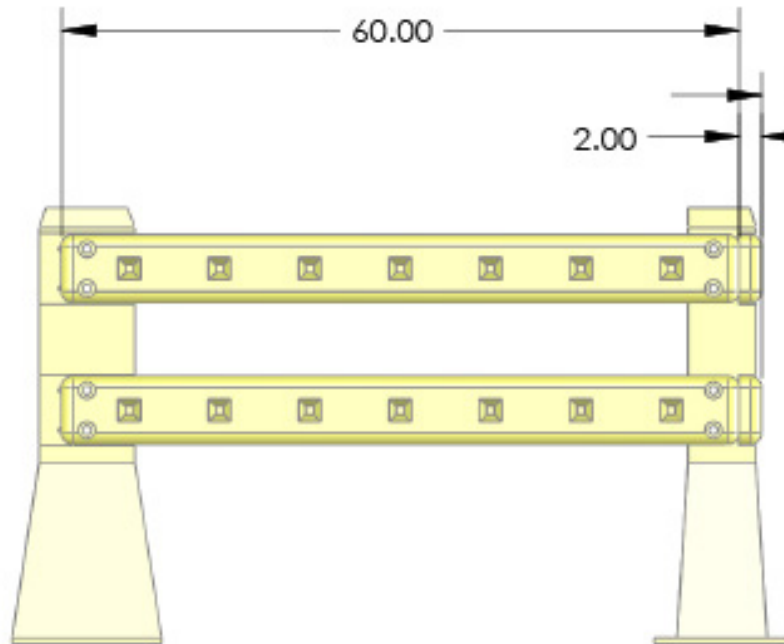
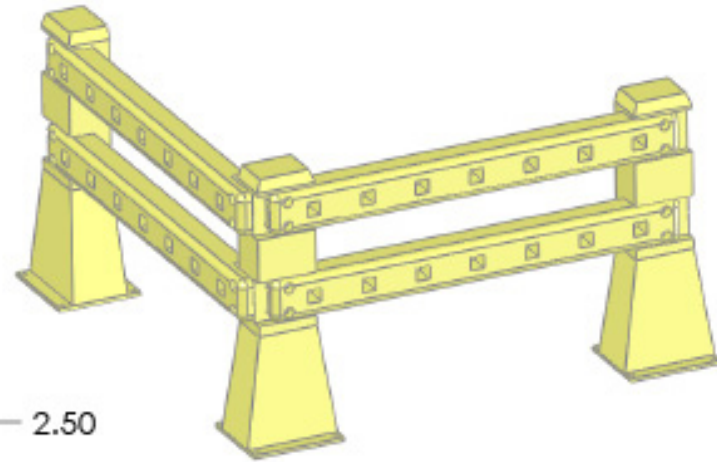
4

3

2

1

Poly Guardrail Assembly - Two endposts, One Corner Post



PROPRIETARY AND CONFIDENTIAL

The information contained in this drawing is the sole property of DIXIE POLY DRUM CORP. Any reproduction in part or as a whole without the written permission of DIXIE POLY DRUM CORP. is prohibited.

All Dimensions Are In Inches

MATERIAL
L.L.D. Polyethylene

FINISH
Smooth

Approval			DIXIE POLY DRUM CORP.	
Dept.	NAME	DATE	TITLE:	
			SIZE	DWG. NO.
			A	
			ANDREW SEARLES	REV
				SHEET 1 OF 1

5

4

4

3

3

2

2

1

1