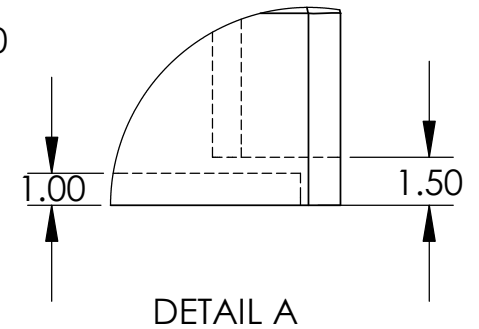
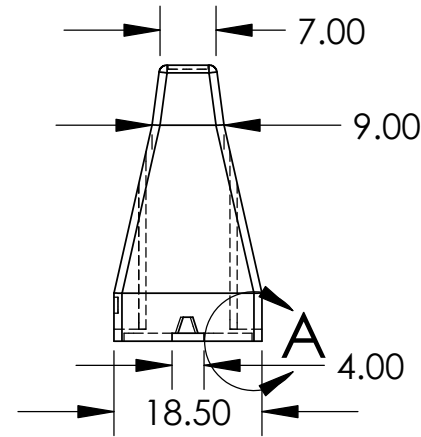
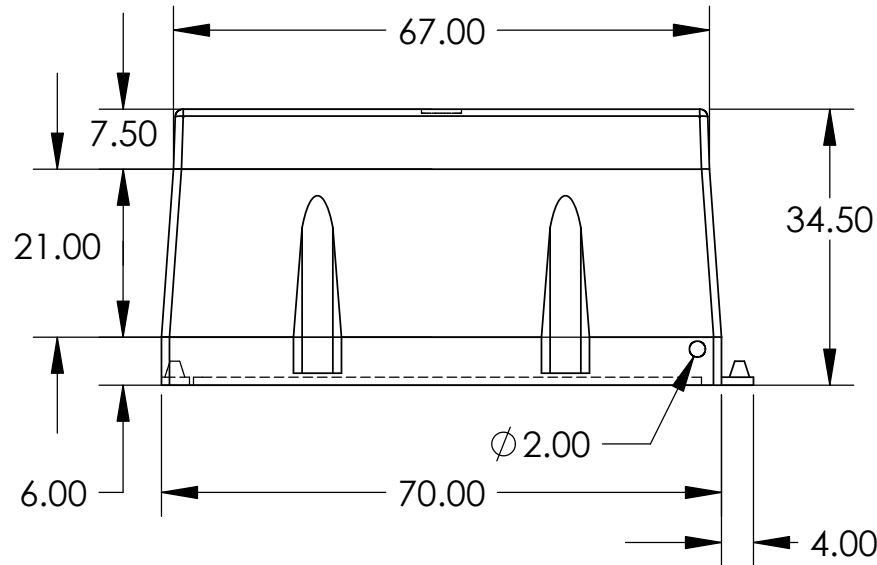
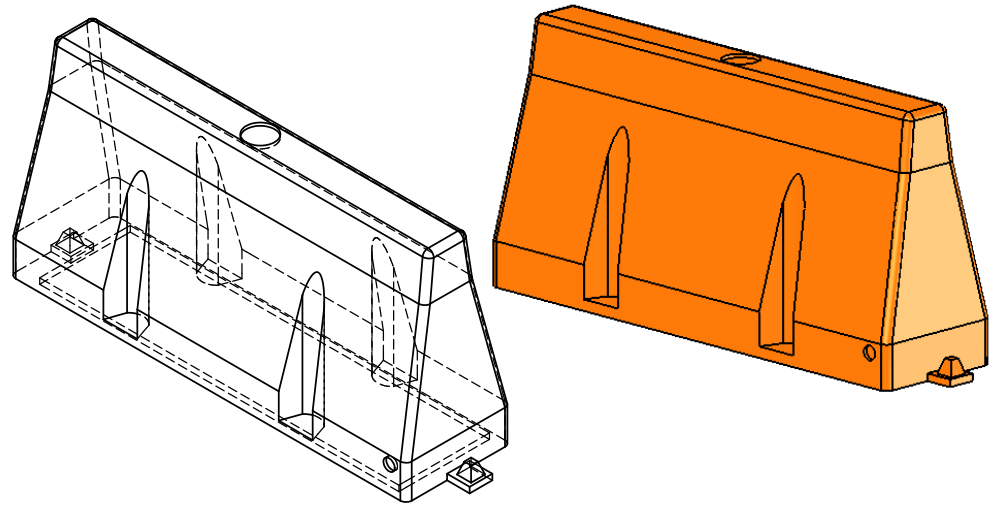
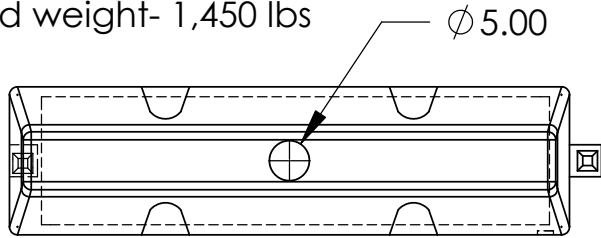


Polycade PC-6

For traffic, parking and pedestrian control.
 Can be weighted with sand or water.
 Water filled weight- 900 lbs
 Sand filled weight- 1,450 lbs



PROPRIETARY AND CONFIDENTIAL

The information contained in this drawing is the sole property of DIXIE POLY DRUM CORP. Any reproduction in part or as a whole without the written permission of DIXIE POLY DRUM CORP. is prohibited.

Material - Linear Polyethylene
 Weight - 70 lbs
 Colors - Orange, Yellow, Granite, Custom
 5" filler cap on top
 2" drain plug
 Reflective bars (4)

Approval			DIXIE POLY DRUM CORP.		
Dept.	NAME	DATE	TITLE:		
			Dixie Polycade		
8/15/03			SIZE	DWG. NO.	REV
			A		
					SHEET 1 OF 1