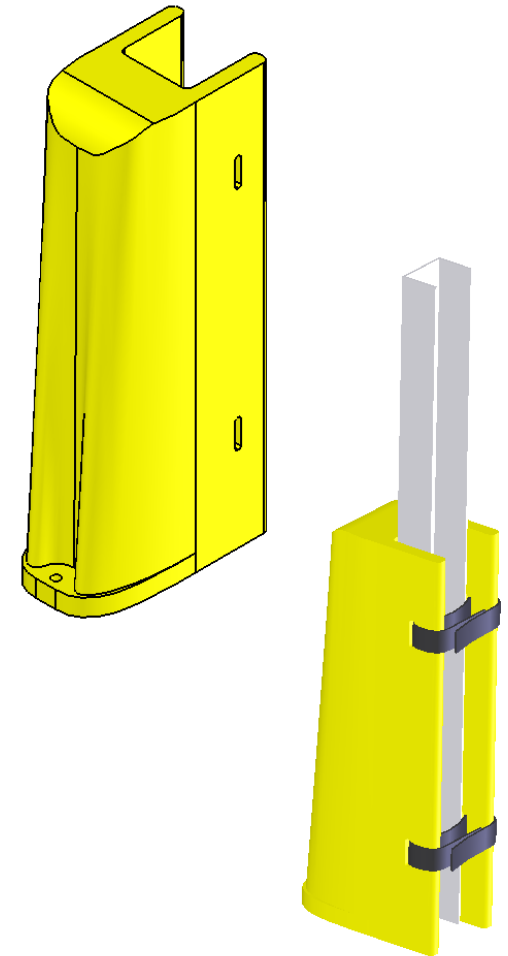
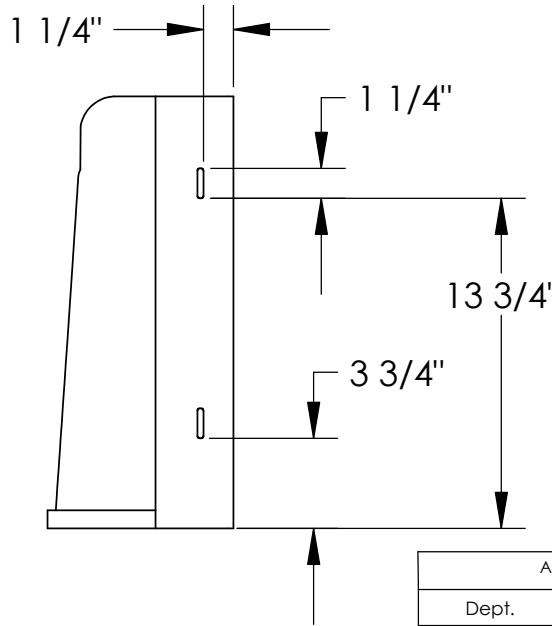
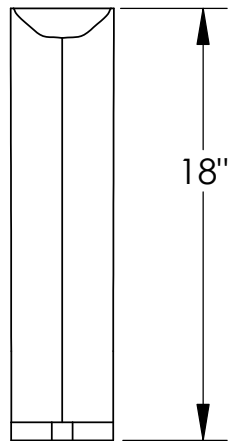
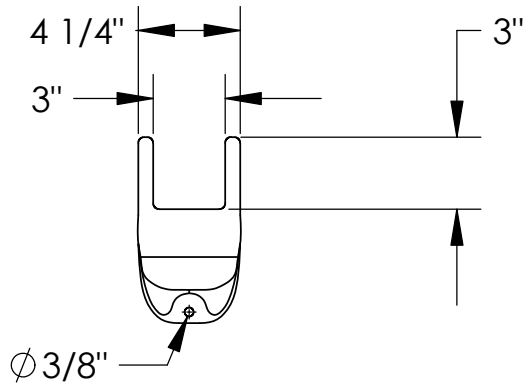


# PALLET RACK PROTECTOR

Material: Polyethylene  
 Color: Yellow  
 Weight: 3 lbs  
 Attachment: Velcro Straps (included)  
 and/or Anchor Bolt to Floor (not included)



**PROPRIETARY AND CONFIDENTIAL**

The information contained in this drawing is the sole property of DIXIE POLY DRUM CORP. Any reproduction in part or as a whole without the written permission of DIXIE POLY DRUM CORP. is prohibited.

Approval			DIXIE POLY DRUM CORP.		
Dept.	NAME	DATE			TITLE:
			Pallet Rack Protector		
			SIZE	DWG. NO.	REV
			<b>A</b>		
A Searles			SHEET 1 OF 1		