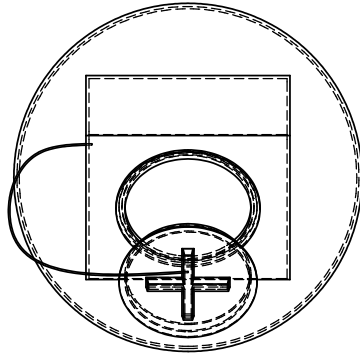


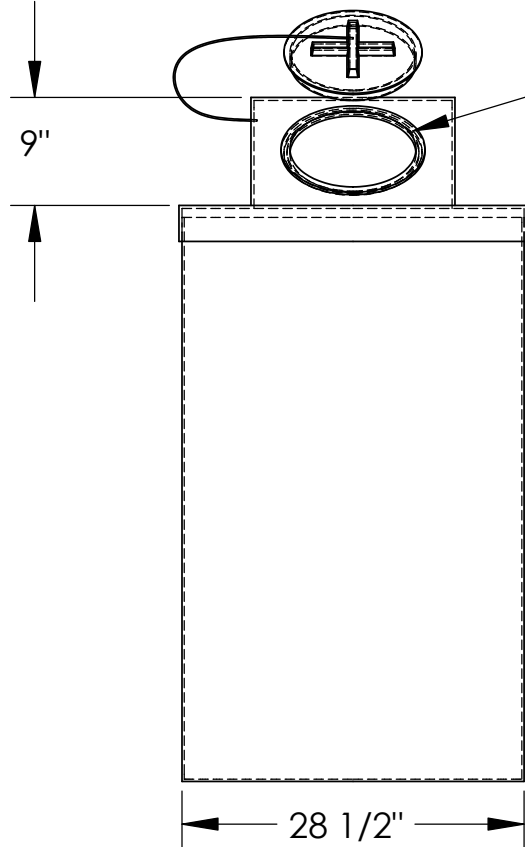
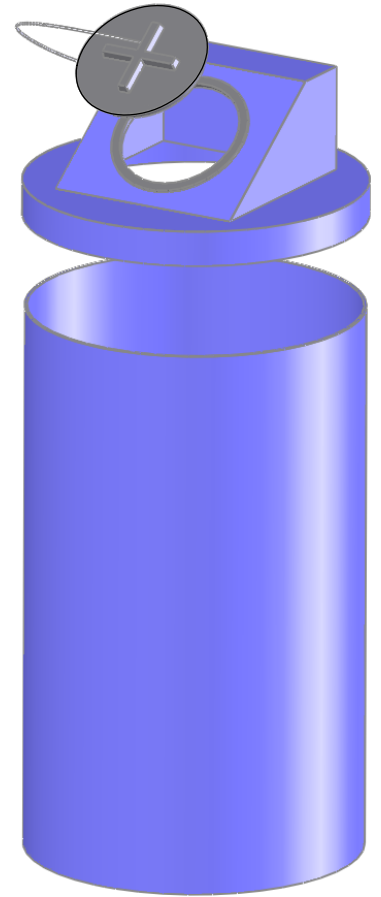
DIXIE POLY DRUM CORP.

Oil Bottle Recycling Station

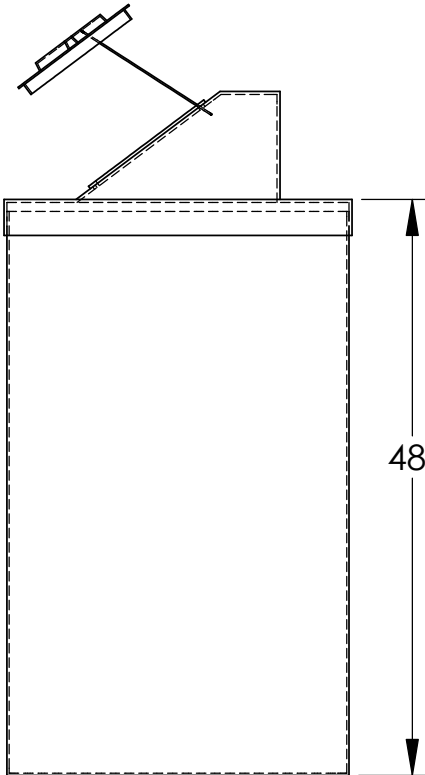
Material: Polyethylene
Weight: 54 lbs
Wall Thickness: 3/16" nominal



Front Label



10 1/2"



48"

PROPRIETARY AND CONFIDENTIAL

The information contained in this drawing is the sole property of DIXIE POLY DRUM CORP. Any reproduction in part or as a whole without the written permission of DIXIE POLY DRUM CORP. is prohibited.