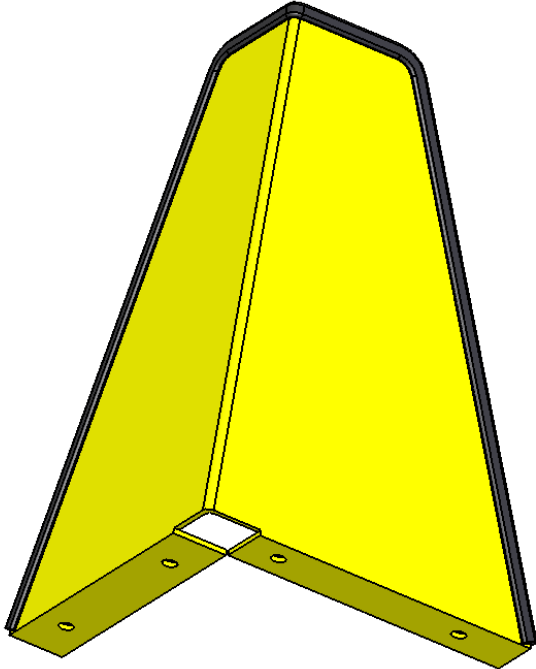
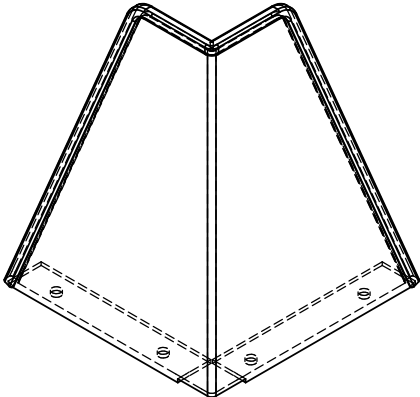
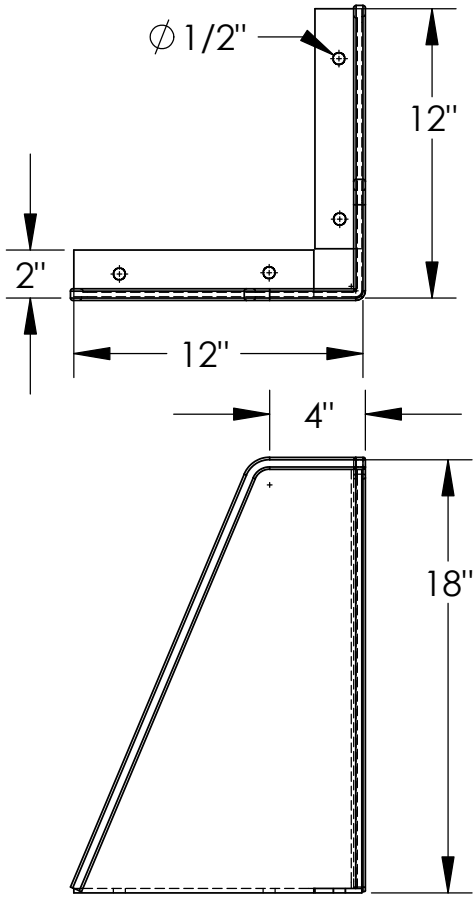


Metal Corner Protector



Material: 3/16" thick steel
 Color: Powder coated safety yellow
 Weight: 16 lbs
 Includes rubber edge trim

PROPRIETARY AND CONFIDENTIAL

The information contained in this drawing is the sole property of DIXIE POLY DRUM CORP. Any reproduction in part or as a whole without the written permission of DIXIE POLY DRUM CORP. is prohibited.

All Dimensions Are In Inches

Approval			DIXIE POLY DRUM CORP.		
Dept.	NAME	DATE	TITLE:		
			Metal corner Protector		
			SIZE	DWG. NO.	REV
			A		
ANDREW SEARLES				SHEET 1 OF 1	