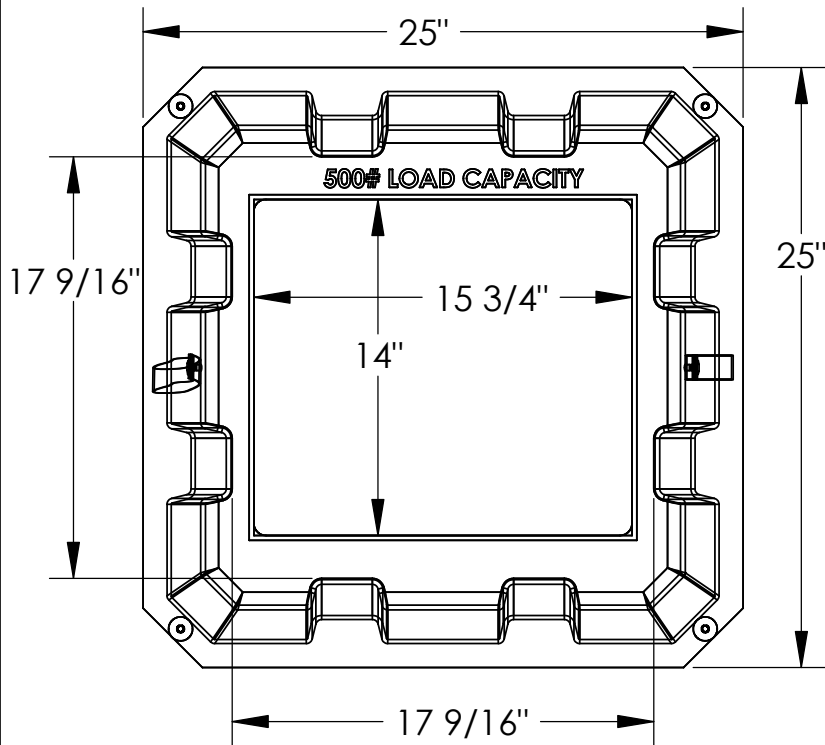
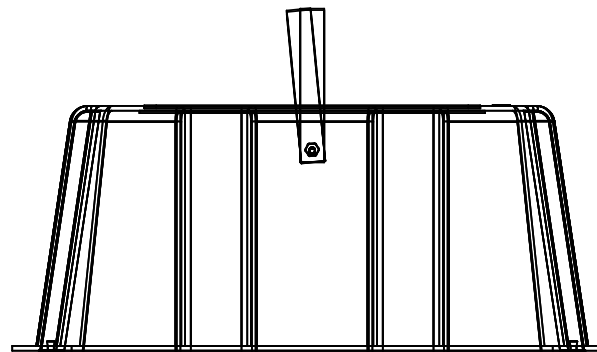
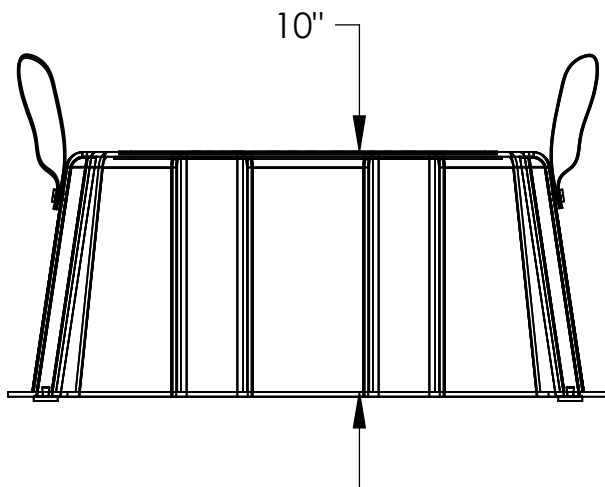
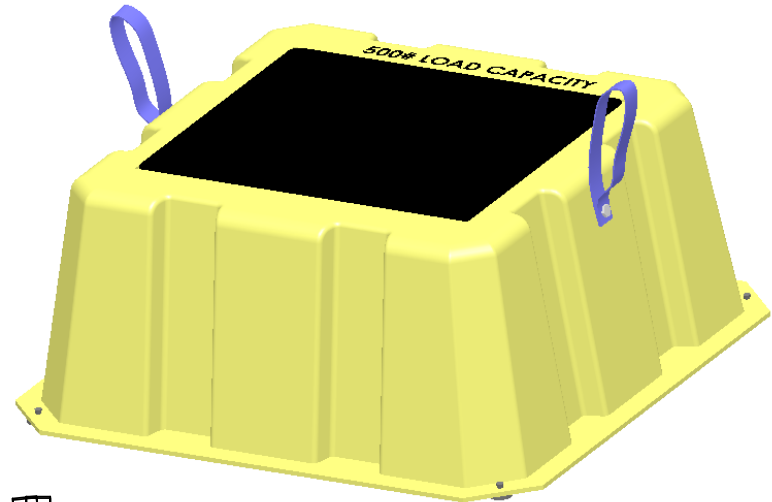


DIXIE POLY DRUM CORP.

NST-1



Material: Polyethylene
Colors: Yellow or recycled green
Weight: 10 LBS
Weight capacity: 500 LBS
14" x 16" non-skid rubber mat
Nylons carry handles
Rubber feet to grip slick floors
Open bottom allows stacking for shipment or storage



PROPRIETARY AND CONFIDENTIAL

The information contained in this drawing is the sole property of DIXIE POLY DRUM CORP. Any reproduction in part or as a whole without the written permission of DIXIE POLY DRUM CORP. is prohibited.