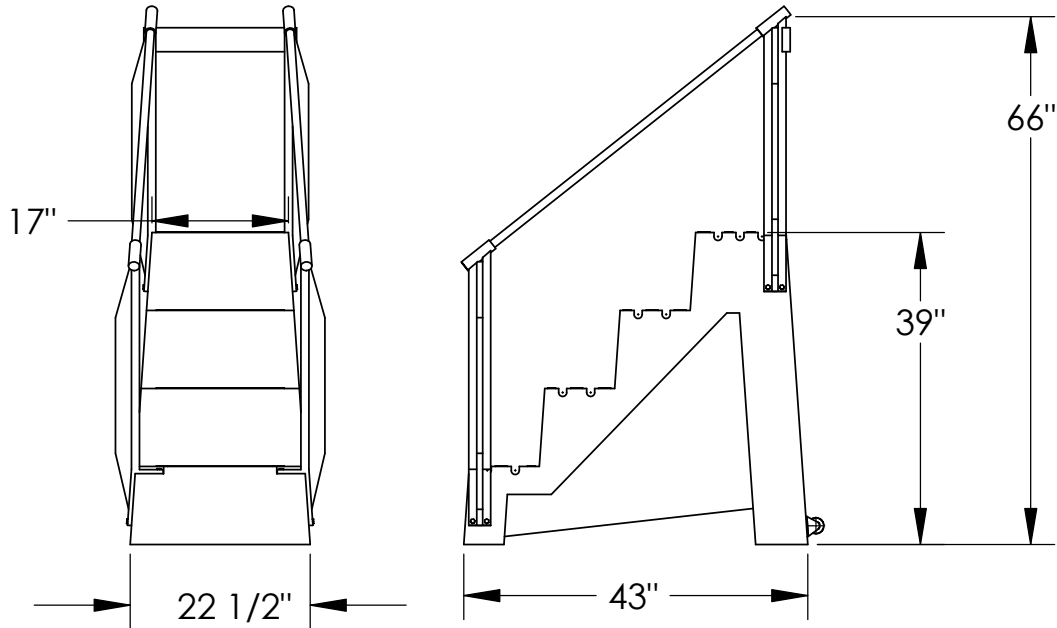


DIXIE POLY DRUM CORP.

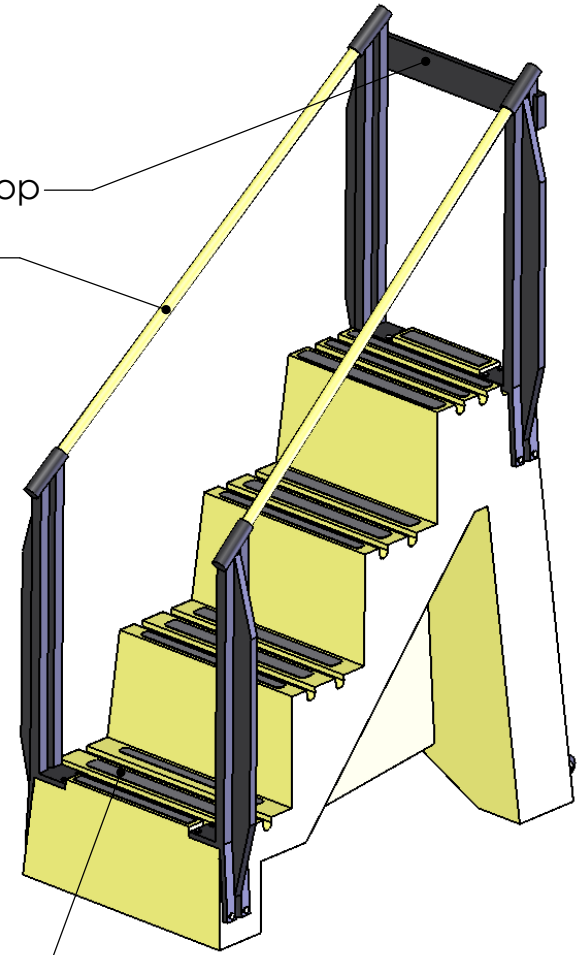
Four Step Step-N-Store

Material: Polyethylene
Weight: 68 lbs
Weight capacity: 500 lbs
Color: Yellow or Gray

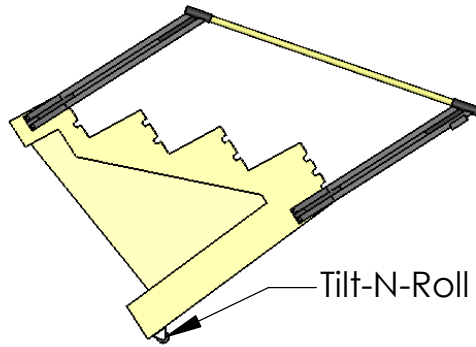


Removeable backstop

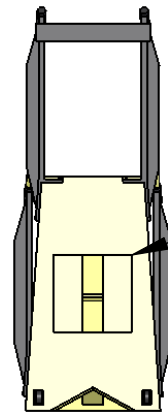
Fiberglass railings



Non-skid abrasive stripes



Tilt-N-Roll Casters



13" x 13" Storage opening in back

PROPRIETARY AND CONFIDENTIAL

The information contained in this drawing is the sole property of DIXIE POLY DRUM CORP. Any reproduction in part or as a whole without the written permission of DIXIE POLY DRUM CORP. is prohibited.