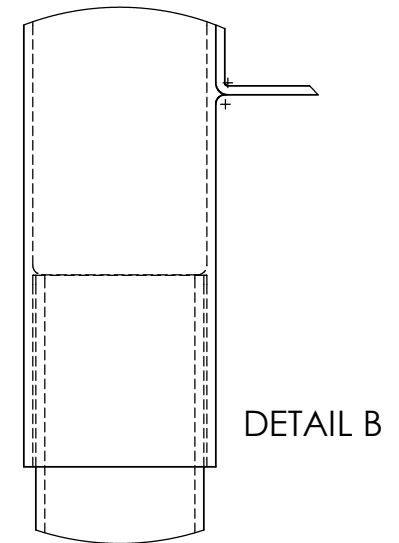
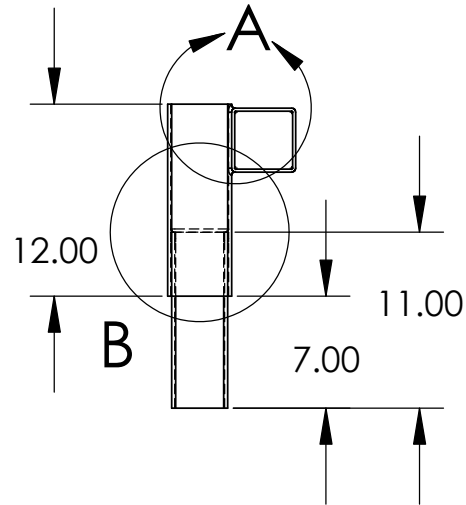
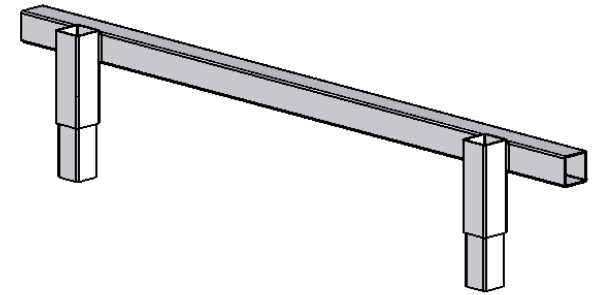
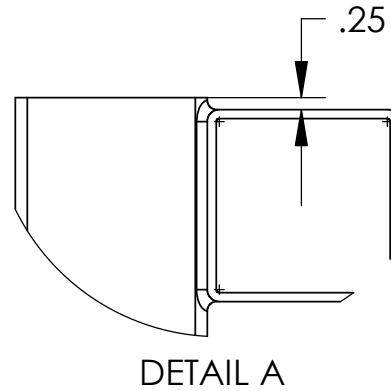
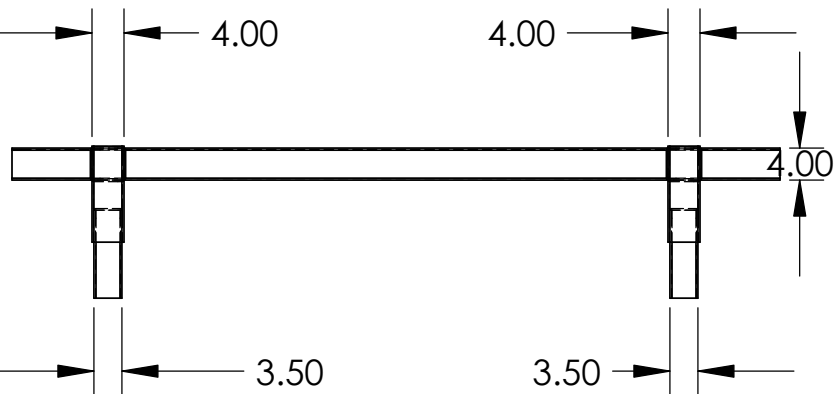
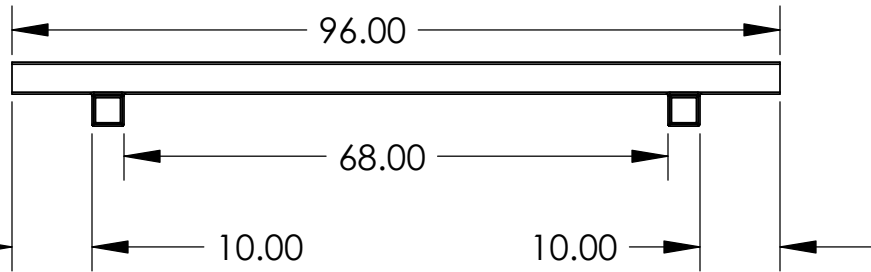


Rail Component for Super-Rail

96 inch



All-steel, all-welded construction
 Tubing Wall Thickness - .1875

Black plastic plugs provided
 to cap open ends

Material - Mild steel
 Color - Safety Yellow

Dimensions are in inches

PROPRIETARY AND CONFIDENTIAL

The information contained in this drawing is the sole property of DIXIE POLY DRUM CORP. Any reproduction in part or as a whole without the written permission of DIXIE POLY DRUM CORP. is prohibited.

Approval			DIXIE POLY DRUM CORP.		
Dept.	NAME	DATE	TITLE:		
			MRCB- 8		
			SIZE	DWG. NO.	REV
			A		
ANDREW SEARLES				SHEET 1 OF 1	