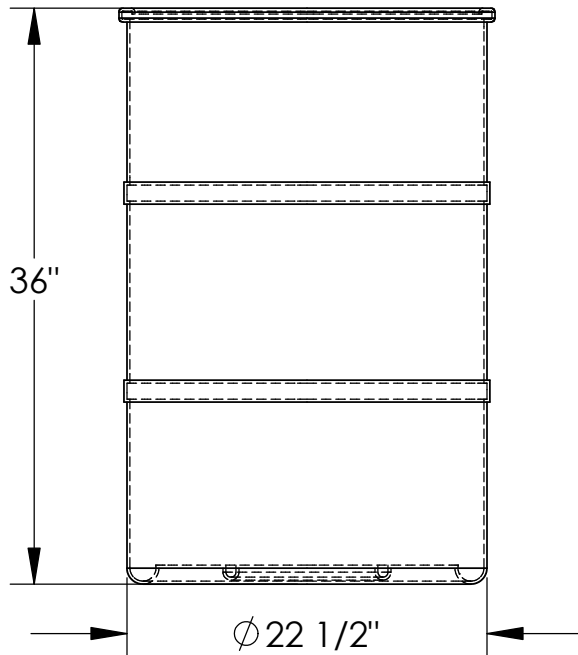
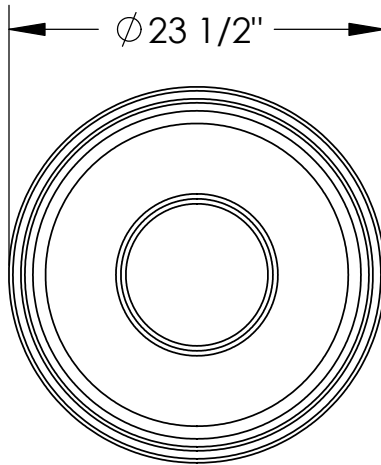


Super Shipper 55 gallon Open Head Drum

Steel Compression Ring with Bolt or Lever-Action Closure



Standard Colors: Blue, Natural white, Black, Yellow, Red, Green

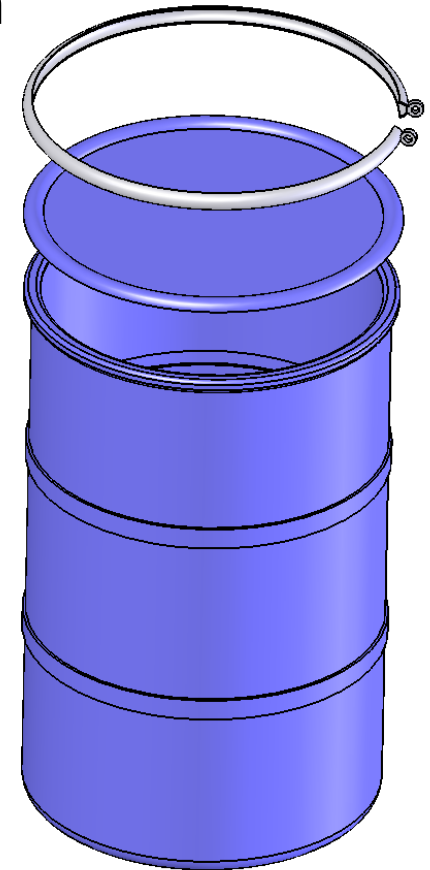
Empty Weight: 23 lbs

Actual Capacity: 62 gallons,

Wall Thickness: 3/16" (.1875") nominal
Stack three high with pallets between drums

Closed-cell Urethane Seal

Handle with side grabber or sling



PROPRIETARY AND CONFIDENTIAL

The information contained in this drawing is the sole property of DIXIE POLY DRUM CORP. Any reproduction in part or as a whole without the written permission of DIXIE POLY DRUM CORP. is prohibited.

MATERIAL
L.L.D. Polyethylene

FINISH
Smooth

Approval			DIXIE POLY DRUM CORP.	
Dept.	NAME	DATE	TITLE:	
			SS OH 55	
			SIZE	DWG. NO.
			A	
			REV	
			ANDREW SEARLES	SHEET 1 OF 1