

DIXIE POLY DRUM CORP.

46 x 60 Two-man Work Platform

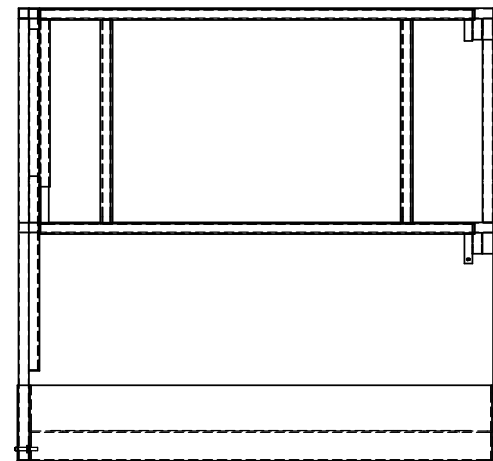
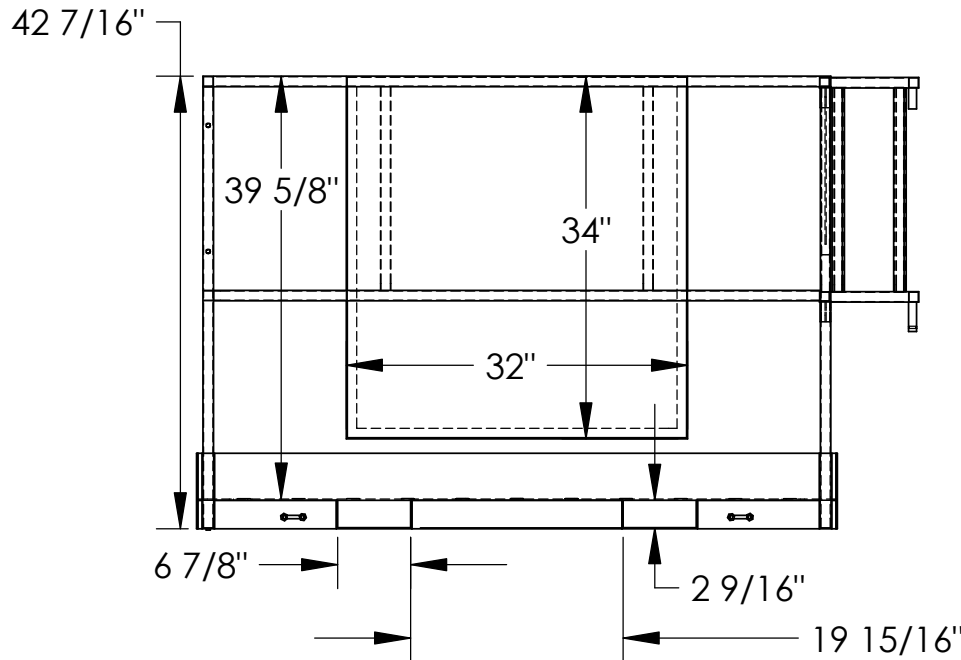
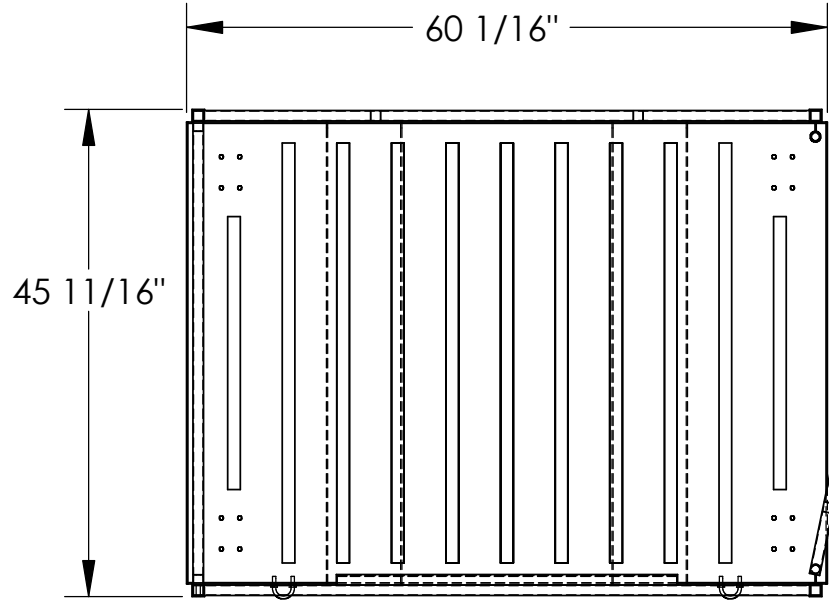
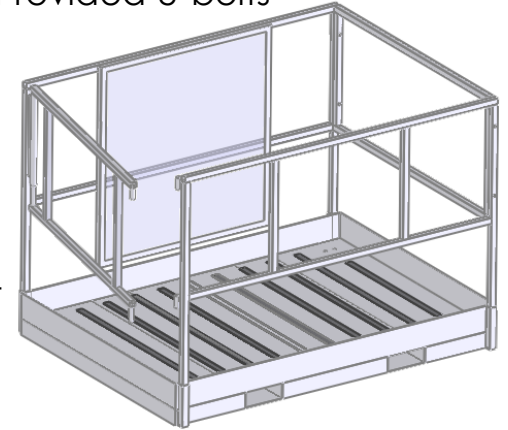
MP-16

Color: Yellow
 Capacity: 1,000 LBS
 Empty Weight: 265 LBS
 Material: All Steel Construction
 Decking: Non-skid Strips
 Shipping: Knock-down - all railings pack into base
 Access: One Lift-to-Release Gate with Positive Locking Pin - Swings In or Out
 Safety Chain: Secures Platform to Forklift by Passing Behind Forklift Mast and Clips to Provided U-bolts

Conforms to OSHA 1910.178

Weight Capacity: 1,000 LBS

Regulations require using a forklift that is at least 41 inches wide at the outside of the wheels



PROPRIETARY AND CONFIDENTIAL

The information contained in this drawing is the sole property of DIXIE POLY DRUM CORP. Any reproduction in part or as a whole without the written permission of DIXIE POLY DRUM CORP. is prohibited.