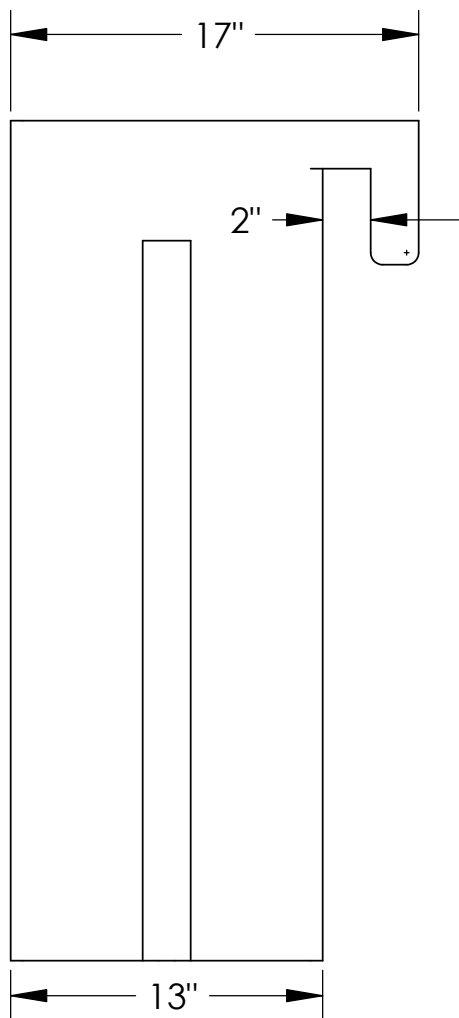
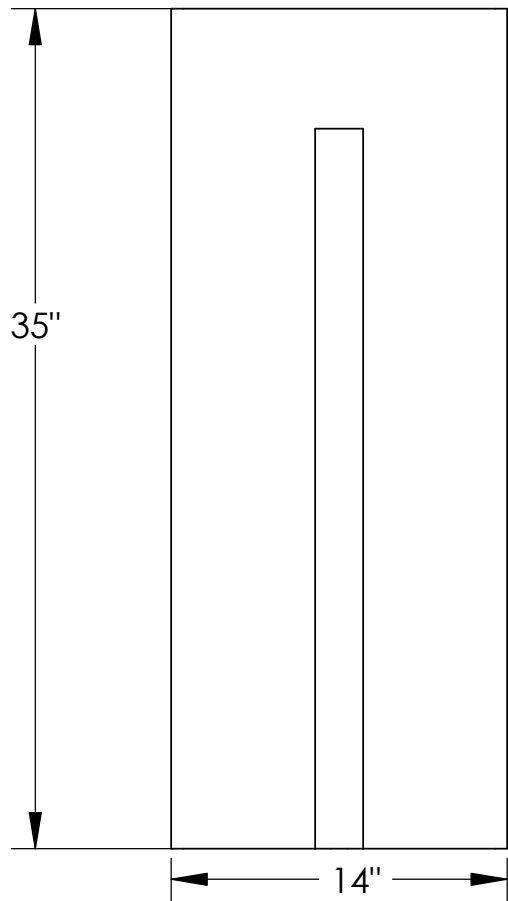
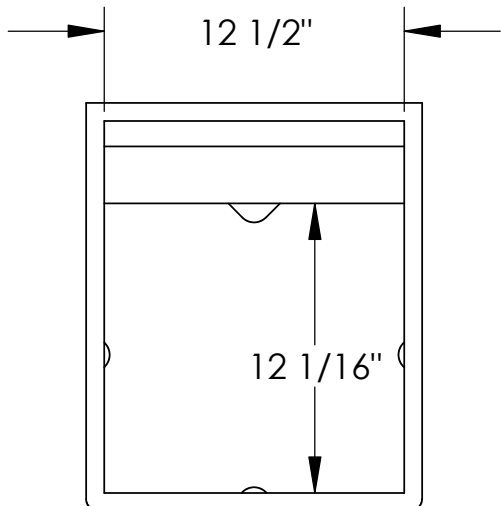
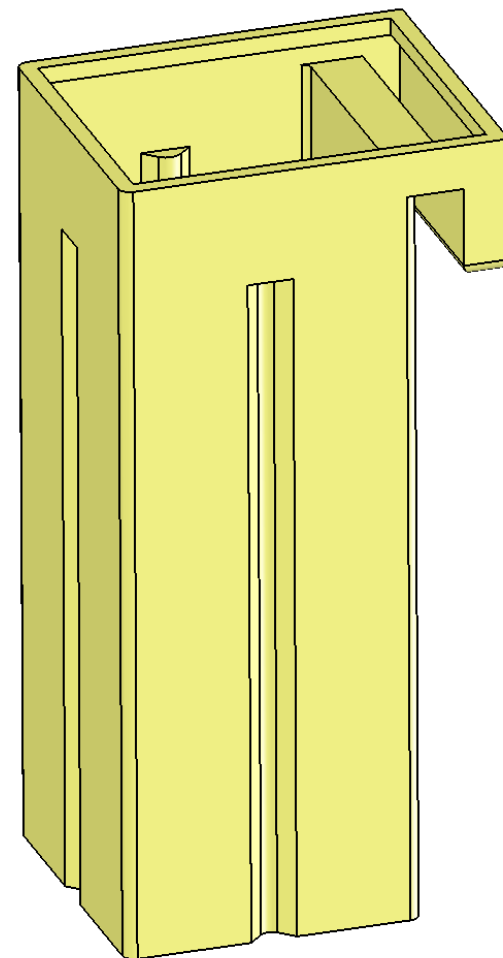


DIXIE POLY DRUM CORP.

### Plastic Lightbulb Caddy MP-LBCP

Material: Polyethylene  
Color: Yellow  
Weight: 13 lbs



**PROPRIETARY AND CONFIDENTIAL**

The information contained in this drawing is the sole property of DIXIE POLY DRUM CORP. Any reproduction in part or as a whole without the written permission of DIXIE POLY DRUM CORP. is prohibited.