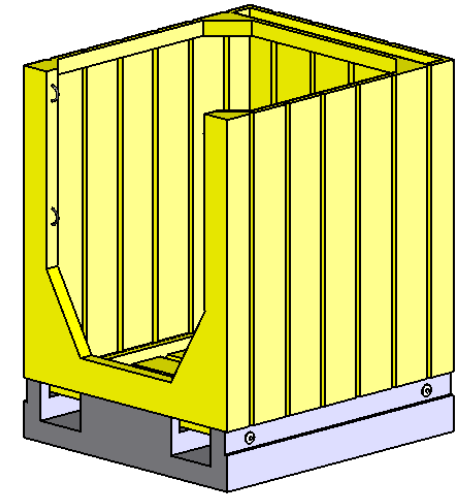
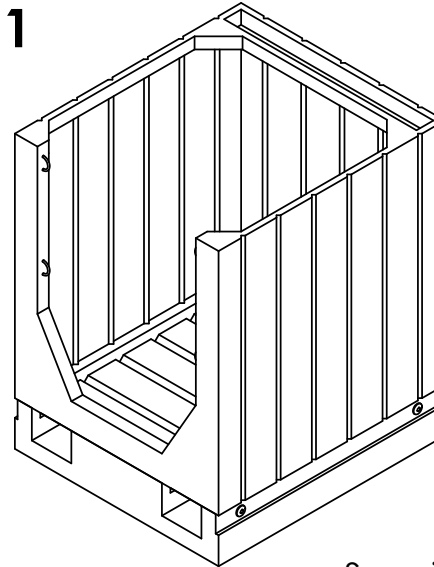
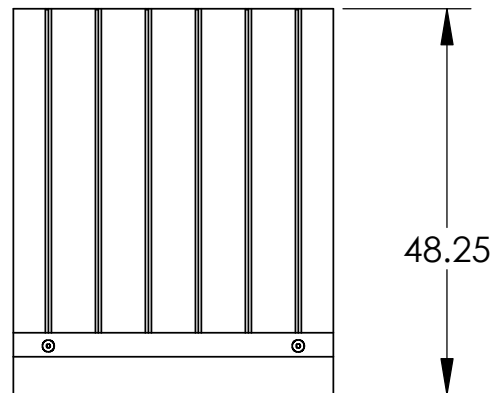
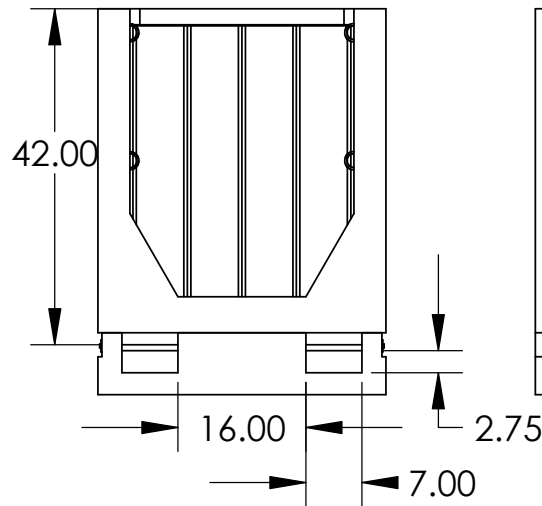


POLY FORKLIFT WORK PLATFORM MPP-1



Specifications:
 Weight: 104 lbs
 Color: Yellow w/ Black Base
 Weight Capacity: 1,000 lbs

Features:
 Non-Skid Floor
 Molded-in Tool Tray
 Non-Conductive Poly Frame
 Dual Chain Front Gate (not shown)
 Forklift safety Chain



PROPRIETARY AND CONFIDENTIAL

The information contained in this drawing is the sole property of DIXIE POLY DRUM CORP. Any reproduction in part or as a whole without the written permission of DIXIE POLY DRUM CORP. is prohibited.

All Dimensions Are In Inches

MATERIAL
L.L.D. Polyethylene

FINISH
Smooth

Approval			DIXIE POLY DRUM CORP.		
Dept.	NAME	DATE	TITLE:		
			MP-5		
			SIZE	DWG. NO.	REV
			A		
ANDREW SEARLES				SHEET 1 OF 1	